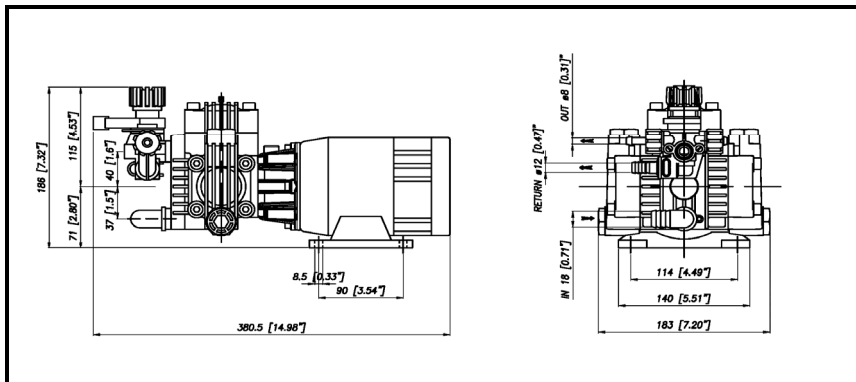


DIMENSIONI D'INGOMBRO - OVERALL DIMENSIONS



COPPIA DI SERRAGGIO - TORQUE CHART

CODICE - CODE	Q.TY	POS	N-m	Lbr.ft
86.2730.00.2	12	6	22	16,2
11.0008.53.2	2	14	5	3,7
86.2215.00.2	4	34	10	7,4
86.3187.10.2	1	35	30	22,2
86.2165.00.2	4	37	10	7,4
86.1943.90.2	2	79	5	3,7
Tolleranza di serraggio:		0/-10%		
Tolerance on torque value:		0/-10%		

**INFORMAZIONI UTILI
USEFUL INFORMATION**

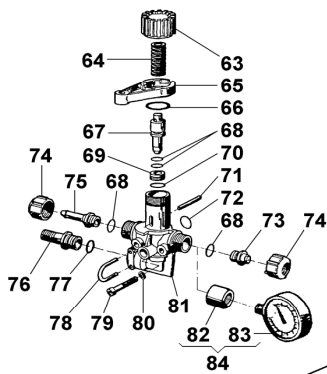
LUBRIFICANTE - LUBRICANT:				
OLIO MOTORE O SEMIIDRAULICO SAE 30 MOTOR OIL OR SEMI-HYDRAULIC OIL SAE 30				
PRESSIONE ACCUMULATORE ACCUMULATOR PRESSURE				
PRESSIONE DI LAVORO - OPERATING PRESSURE	2 ÷ 5	5 ÷ 10	10 ÷ 20	20 ÷ 50
ACCUMULATORE ACCUMULATOR	2	2 ÷ 5	5 ÷ 7	6 ÷ 8

		KIT MEMBRANE - DIAPHRAGMS KIT				KIT NPR - NPR KIT												
KIT		BUNA - N				KIT VALVOLA VALVE KIT												
POSIZIONE ESPLOSO POSITION NUMBER	11.9871.97.3	1	13	22	23	66	67	68	69	70	72	77						
QUANTITA' NEL KIT QUANTITIES INCLUDED	2	1	1	4		1	1	4	1	1	1	1						
		KIT POMPA PUMP KIT				KIT VALVOLE VALVE KIT												
POSIZIONE ESPLOSO POSITION NUMBER	11.9880.97.A	2 O-ring				11.9870.97.3												
QUANTITA' NEL KIT QUANTITIES INCLUDED	4+4	2	4	2	1	4												

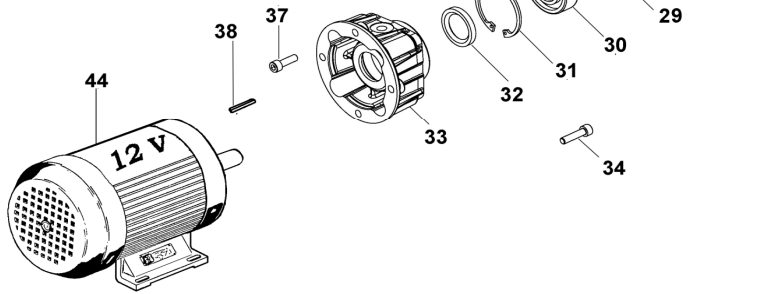
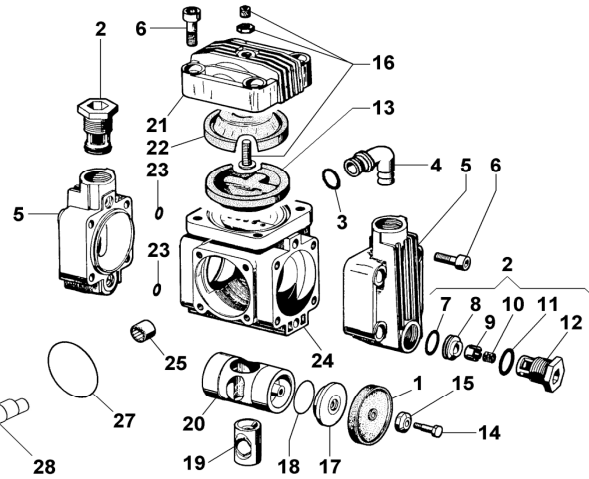
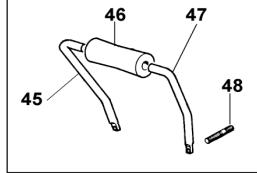
ELP. TRIAL 9/12 - 15/12

IDROMECCANICA[®]
BERTOLINI S.p.A.

NPR TRIAL



OPTIONAL



POS.	CODICE PART NO. REF.	DENOMINAZIONE - DESCRIPTION - DESCRIPTION	Q.TY	POS.	CODICE PART NO. REF.	DENOMINAZIONE - DESCRIPTION - DESCRIPTION	Q.TY
1	12.0040.31.2	DIAPHRAGM	2	35	86.3187.10.2	BOLT M10X16 UNI 5931	1
2	11.9812.97.3	VALVES ASSEMBLY (TRIAL 9/12)	3	36	84.3800.50.2	WASHER	1
2	11.9812.97.3	VALVES ASSEMBLY (TRIAL 15/12)	4	37	86.2166.00.2	BOLT M6x20 UNI5931	4
3	80.3090.00.2	O-RING 2,0x16	1	38	80.6443.00.2	KEY 5X5X20	1
4	84.0510.00.2	INLET SUCTION DIA. 15-0,59"	1	39	11.0020.31.2	OIL PLUG	1
5	11.0102.09.2	HEAD	2	44	83.2008.00.2	ELECTRIC MOTOR 12 VDC	1
6	86.2730.00.2	SCREW M8x30 UNI5931	12	45	31.1325.61.2	RIGHT HALF HANDLE (OPTIONAL)	1
7	80.3069.00.2	O-RING D 1,78X18,77 (TRIAL 9/12)	3	46	82.8410.00.2	KNOB (OPTIONAL)	1
7	80.3069.00.2	O-RING D 1,78X18,77	4	47	31.1324.61.2	LEFT HALF HANDLE (OPTIONAL)	1
8	11.0052.32.2	SEAT (TRIAL 9/12)	3	48	83.8070.00.2	STUD M6X30 UNI 5911 (OPTIONAL)	2
8	11.0052.32.2	SEAT (TRIAL 15/12)	4	49	84.3651.50.2	WASHER D.5,3	4
9	11.0051.32.2	VALVE (TRIAL 9/12)	3	63	94.0203.32.2	KNOB	1
9	11.0051.32.2	VALVE (TRIAL 15/12)	4	64	94.0084.48.2	SPRING (10 bar -1450 PSI)	1
10	38.0054.51.2	SPRING (TRIAL 9/12)	3	64	94.0136.48.2	SPRING (5 bar -72 PSI)	1
10	38.0054.51.2	SPRING (TRIAL 15/12)	4	65	94.0202.32.2	LEVER	1
11	80.3199.00.2	O-RING 2,62x21,89	4	66	80.3199.00.2	O-RING 2,62x21,89	1
12	11.0054.32.2	PLUG	4	67	94.0204.32.2	POPPET	1
13	10.0040.31.2	LOWER ACCUMULATOR DIAPHRAGM	1	68	80.3175.00.2	O-RING 2,62x10,78	4
14	11.0008.53.2	DIAPHRAGM CLAMPING BOLT	2	69	05.0068.51.2	SEAT	1
15	11.0009.32.2	INSERT	2	70	80.3056.00.2	O-RING 1,78x8,73	1
16	86.1608.50.2	AIR VALVE	1	71	85.1045.00.2	PIN DIA.3x30	1
17	11.0011.32.2	PISTON HEAD	2	72	80.3088.00.2	O-RING	1
18	80.3005.00.2	O-RING D. 1X28X30	2	73	94.0201.32.2	PRESSURE REGULATOR PLUG	1
19	11.0015.01.2	PLUNGER ROD	1	74	82.0015.00.2	WING NUT G.1/2	2
20	11.0010.09.2	PISTON	1	75	84.1528.00.2	OUTLET CONNECTOR DIA.8-0,31"	1
21	11.0004.09.2	BALLASTER COVER	1	76	84.1551.00.2	RETURN CONNECTOR DIA.13-0,51"	1
22	10.0041.31.2	UPPER ACCUMULATOR DIAPHRAGM	1	77	80.3213.50.2	O-RING 3.0x11	1
23	80.3088.20.2	O-RING	4	78	94.0206.49.2	QUICK RELEASE PIN	1
24	11.0121.09.2	PUMP CRANKCASE	1	79	86.1943.90.2	SCREW M5x45 UNI5931	2
25	81.2520.50.2	BEARING 12X18X12	1	80	84.3542.00.2	WASHER DIA.5,3x10x1	2
27	80.3080.40.2	O-RING D.1,78X53,7	1	81	94.0200.32.2	PRESSURE REGULATOR BOD	1
28	11.0127.42.2	CRANKSHAFT	1	82	94.0207.32.2	NIPPLES G.1/2 - G.1/4 (OPTIONAL)	1
29	80.1185.00.2	CIRCLIP DIA.25	1	83	83.0010.00.2	PRESSURE GAUGE (OPTIONAL)	1
30	81.2707.00.2	BALL BEARING 25X52X15	1	84	94.9849.97.3	PRESSURE GAUGE KIT (OPTIONAL)	1
31	80.1368.00.2	CIRCLIP DIA.52	1				
32	80.2093.00.2	OIL SEAL DIA.25X37X5	1				
33	11.0126.07.2	MOTOR FLANGE	1				
34	86.2166.00.2	BOLT M6X20 UNI 5931	4				

BERTOLINI
pumps