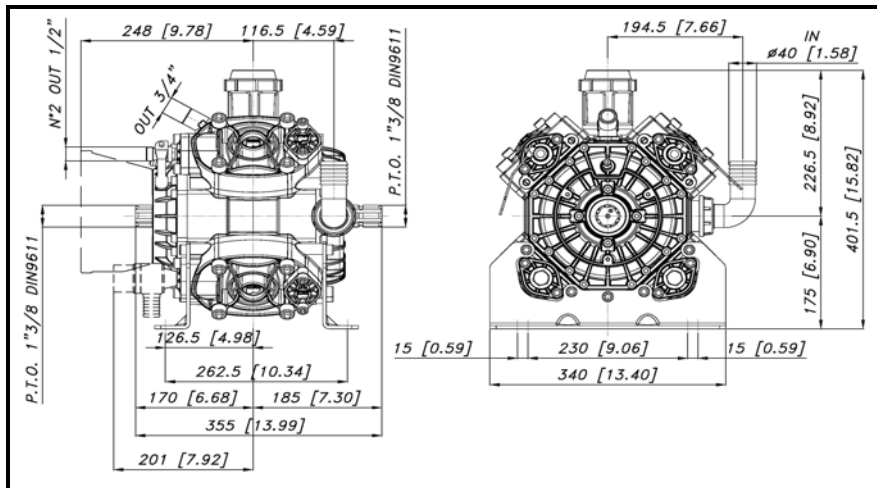
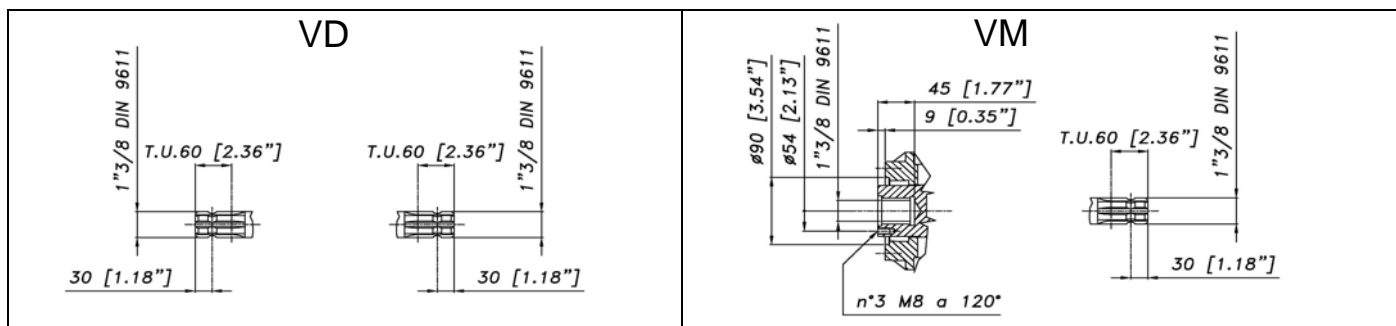




DIMENSIONI D'INGOMBRO - OVERALL DIMENSIONS



ALBERO POMPA - PUMP SHAFT



| COPPIA DI SERRAGGIO - TORQUE CHART | | | | | |
|------------------------------------|------|-----|-----|--------|--|
| CODICE - CODE | Q.TY | POS | N-m | Lbr.ft | |
| 86.2730.00.2 | 20 | 3 | 22 | 16,2 | |
| 86.2752.00.2 | 8 | 4 | 22 | 16,2 | |
| 86.3265.00.2 | 9 | 12 | 44 | 32,5 | |
| 86.3347.00.2 | 1 | 15 | 44 | 32,5 | |
| 41.9835.97.3 | 4 | 22 | 25 | 18,5 | |
| 86.4250.00.2 | 16 | 45 | 108 | 79,7 | |
| 86.3300.00.2 | 16 | 52 | 44 | 32,5 | |

Tolleranza di serraggio: 0/-10%
Tolerance on torque value:

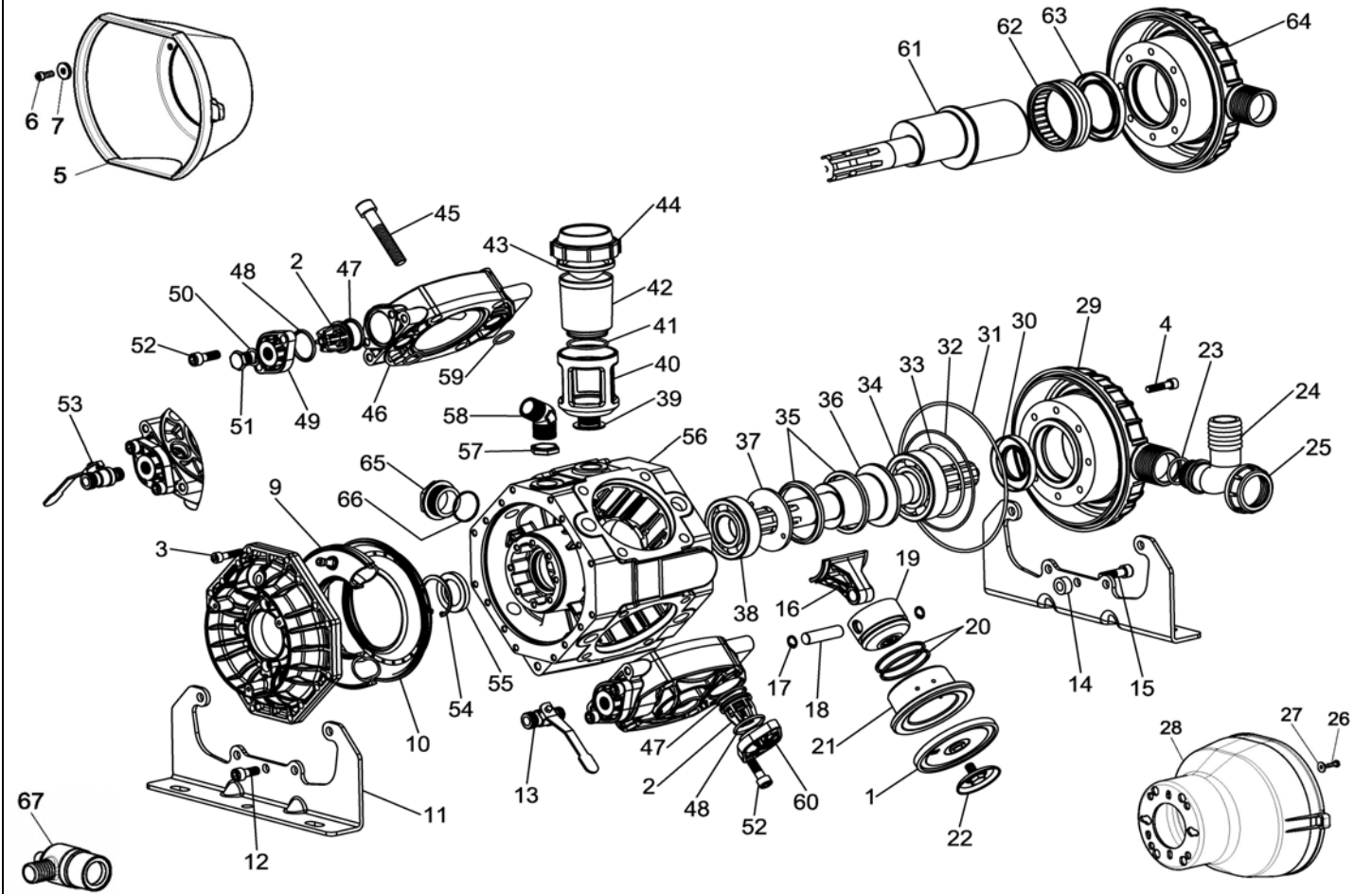
| INFORMAZIONI UTILI USEFUL INFORMATION | | | | |
|--|-------|--------|---------|---------|
| LUBRIFICANTE- LUBRICANT: OLIO MOTORE O SEMIIDRAULICO SAE 30 MOTOR OIL OR SEMI-HYDRAULIC OIL SAE 30 | | | | |
| PRESSIONE ACCUMULATORE ACCUMULATOR PRESSURE | | | | |
| PRESSIONE DI LAVORO - OPERATING PRESSURE | 2 ÷ 5 | 5 ÷ 10 | 10 ÷ 20 | 20 ÷ 50 |
| ACCUMULATORE ACCUMULATOR | 2 | 2 ÷ 5 | 5 ÷ 7 | 6 ÷ 8 |

KIT MEMBRANE - DIAPHRAGMS KIT

| KIT | 41.9875.97.3 | BUNA - N | | | 41.9876.97.3 | DESMOPAN | | | 41.9876.97.3 | VITON | | | | | 41.9878.97.3 | PENTAX | | | | |
|--|--------------|----------|---|----|--------------|----------|---|----|--------------|-------|---|----|----|----|--------------|--------|--|---|---|----|
| POSIZIONE ESPLOSO POSITION NUMBER | | 1 | 9 | 59 | | 1 | 9 | 59 | | 1 | 9 | 31 | 32 | 47 | 48 | 59 | | 1 | 9 | 59 |
| QUANTITA' NEL KIT QUANTITIES INCLUDED | | 4 | 1 | 8 | | 4 | 1 | 8 | | 4 | 1 | 1 | 1 | 8 | 8 | 8 | | 4 | 1 | 8 |

KIT POMPA/KIT VALVOLE - PUMP KIT/VALVES KIT

| KIT | 41.9882.97.3 | KIT POMPA VD PUMP KIT VD | | | | | | | | 41.9883.97.3 | KIT POMPA VM PUMP KIT VM | | | | | | | | 41.9870.97.3 | KIT VALVOLE VALVE KIT | | |
|--|--------------|-----------------------------|----|----|----|----|----|----|----|--------------|-----------------------------|----|----|----|----|----|----|----|--------------|--------------------------|----|----|
| POSIZIONE ESPLOSO POSITION NUMBER | | 55 | 30 | 59 | 31 | 32 | 33 | 47 | 48 | | 55 | 63 | 59 | 31 | 32 | 33 | 47 | 48 | | 2 | 47 | 48 |
| QUANTITA' NEL KIT QUANTITIES INCLUDED | | 1 | 1 | 8 | 1 | 1 | 1 | 8 | 8 | | 1 | 1 | 8 | 1 | 1 | 1 | 8 | 8 | | 8 | 8 | 8 |



| POS. | CODICE PART NO. REF. | DENOMINAZIONE - DESCRIPTION - DESCRIPTION | Q.TY | POS. | CODICE PART NO. REF. | DENOMINAZIONE - DESCRIPTION - DESCRIPTION | Q.TY |
|------|----------------------|---|------|------|----------------------|---|------|
| 1 | 95.0040.31.2 | BUNA-N PISTON DIAPHRAGM | 4 | 33 | 80.3291.00.2 | O-RING DIA.3,53x88,5 | 1 |
| 1 | 95.0040.33.2 | VITON PISTON DIAPHRAGM (OPTIONAL) | 4 | 34 | 81.2913.00.2 | BEARING 45X90X23 | 1 |
| 1 | 95.0040.00.2 | DESMOPAN PISTON DIAPHRAGM (OPTIONAL) | 4 | 35 | 14.0015.76.2 | CONROD HOLDING RING | 2 |
| 1 | 95.0040.36.2 | HPS PISTON DIAPHRAGM (OPTIONAL) | 4 | 36 | 41.0033.26.2 | CRANKSHAFT "VD" (1"3/8 M-M) | 1 |
| 2 | 35.9802.97.3 | VALVES ASSEMBLY | 8 | 37 | 41.0023.61.2 | CIRCLIP | 1 |
| 3 | 86.2730.00.2 | SCREW M8x30 UNI 5931 | 20 | 38 | 81.2867.00.2 | BEARING35X80X21 | 1 |
| 4 | 86.2752.00.2 | SCREW M8x35 UNI 5931 | 8 | 39 | 82.4191.00.2 | GASKET DIA.27x38x2 | 1 |
| 5 | 31.1466.32.2 | PLAIN SAFETY CONE (OPTIONAL) | 1 | 40 | 41.0015.09.2 | OIL FILLER BODY | 1 |
| 6 | 86.1846.00.2 | SCREW M5,5x16 UNI 6954 (OPTIONAL) | 3 | 41 | 80.3209.40.2 | O-RING DIA.2,62x44,12 | 1 |
| 7 | 84.3560.00.2 | WASHER DIA. 5,5x15x1,6 (OPTIONAL) | 3 | 42 | 41.0016.32.2 | OIL FILLER | 1 |
| 8 | 41.0105.09.2 | BALLASTER COVER | 1 | 43 | 41.0017.31.2 | OIL FILLER DIAPHRAGM | 1 |
| 9 | 41.0120.97.3 | NBR BALLASTER DIAPHRAGM | 1 | 44 | 28.0144.32.2 | OIL FILLER COVER | 1 |
| 9 | 41.0121.97.3 | VITON BALLASTER DIAPHRAGM (OPTIONAL) | 1 | 45 | 86.4250.00.2 | SCREW M14x70 UNI 5931 | 16 |
| 9 | 41.0122.97.3 | EPDM BALLASTER DIAPHRAGM (OPTIONAL) | 1 | 46 | 41.0111.09.2 | PUMP HEAD | 4 |
| 9 | 41.0123.97.3 | HPS BALLASTER DIAPHRAGM (OPTIONAL) | 1 | 47 | 80.3251.00.2 | O-RING DIA.3,53x32,93 | 8 |
| 10 | 41.0104.09.2 | LOWER BALLASTER | 1 | 47 | 80.3251.50.2 | O-RING DIA.3,53x32,93 (KIT VITON) | 8 |
| 11 | 41.0113.61.2 | MOUNTING RAIL | 2 | 48 | 80.3262.00.2 | O-RING DIA.3,53x41,28 | 8 |
| 12 | 86.3265.00.2 | SCREW M10x25 UNI 5931 | 9 | 48 | 80.3262.50.2 | O-RING DIA.3,53x41,28 (KIT VITON) | 8 |
| 13 | 84.5544.10.2 | LEFT TAP G.3/8-G.1/2 | 1 | 49 | 41.0110.09.2 | VALVE COVER G.3/8" | 4 |
| 14 | 41.0115.75.2 | MOUNTING RAIL SPACER | 1 | 50 | 82.4107.00.2 | GASKET | 2 |
| 15 | 86.3347.00.2 | SCREW M10x35 UNI 5931 | 1 | 51 | 85.2579.00.2 | CAP G.3/8" | 2 |
| 16 | 41.0009.09.2 | CONROD | 4 | 52 | 86.3300.00.2 | SCREW M10x30 UNI 5931 | 16 |
| 16 | 41.0047.11.2 | BRONZE CONROD (OPTIONAL) | 4 | 53 | 84.5544.00.2 | RIGHT TAP G.3/8-G.1/2 | 1 |
| 17 | 80.0021.00.2 | RING DIA.15 | 8 | 54 | 80.1369.00.2 | RING DIA.52 | 1 |
| 18 | 85.2007.00.2 | PISTON PIN DIA.15x24 | 4 | 55 | 80.2143.10.2 | OIL SEAL DIA.35x52x7 | 1 |
| 19 | 37.0016.09.2 | PISTON | 4 | 56 | 41.0108.09.2 | CRANKCASE | 1 |
| 20 | 81.8527.00.2 | PISTON RING | 8 | 57 | 81.4909.00.2 | BRASS G.3/4 NUT | 1 |
| 21 | 43.0015.01.2 | PISTON SLEEVE | 4 | 58 | 83.5063.28.2 | 60° ELBOW CONNECTOR G.3/4 | 1 |
| 22 | 41.9835.97.3 | KIT DISK + SCREW INOX | 4 | 59 | 80.3200.00.2 | O-RING DIA.2,62x22,22 | 8 |
| 23 | 80.3219.10.2 | O-RING DIA. 3.0x30 | 1 | 59 | 80.3200.50.2 | O-RING DIA.2,62x22,22 (KIT VITON) | 8 |
| 24 | 84.0591.00.2 | 90° ELBOW CONNECTOR DIA.40-1,57" | 1 | 60 | 41.0109.09.2 | VALVE COVER | 4 |
| 25 | 82.0070.00.2 | WING NUT G.1"1/2 | 1 | 61 | 41.0042.26.2 | CRANKSHAFT "VM" (1"3/8 M-F) | 1 |
| 26 | 86.1846.00.2 | SCREW M5,5x16 UNI 6954 (OPTIONAL) | 4 | 62 | 81.3027.00.2 | BEARING 72X90X25 | 1 |
| 27 | 84.3560.00.2 | WASHER DIA.5,5x15x1,6 (OPTIONAL) | 4 | 63 | 80.2286.00.2 | OIL SEAL DIA.72x90x10 "VM" | 1 |
| 28 | 31.1482.32.2 | PLAIN SAFETY CONE L.180 (OPTIONAL) | 1 | 64 | 41.0116.09.2 | INLET COVER "VM" - "MF" | 1 |
| 28 | 31.1468.32.2 | PLAIN SAFETY CONE L.135 (OPTIONAL) | 1 | 65 | 85.3520.00.2 | NYLON CAP M40x1,5 | 1 |
| 29 | 41.0112.09.2 | INLET COVER "VD" | 1 | 66 | 80.3080.10.2 | O-RING DIA.1,78x34,65 | 1 |
| 30 | 80.2190.00.2 | OIL SEAL DIA.40x72x10 "VD" | 1 | 67 | 24.3050.97.3 | SAFETY VALVE 50 BAR (OPTIONAL) | 1 |
| 31 | 80.3295.00.2 | O-RING DIA.3,53x190,10 | 1 | | | | |
| 31 | 80.3295.50.2 | O-RING DIA.3,53x190,10 (KIT VITON) | 1 | | | | |
| 32 | 80.3210.70.2 | O-RING DIA.2,62x126,67 | 1 | | | | |
| 32 | 80.3210.75.2 | O-RING DIA.2,62x126,67 (KIT VITON) | 1 | | | | |