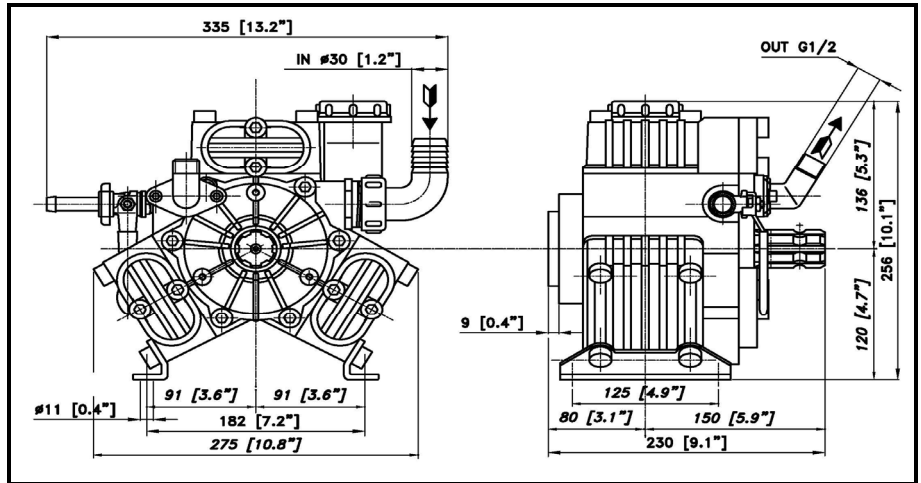
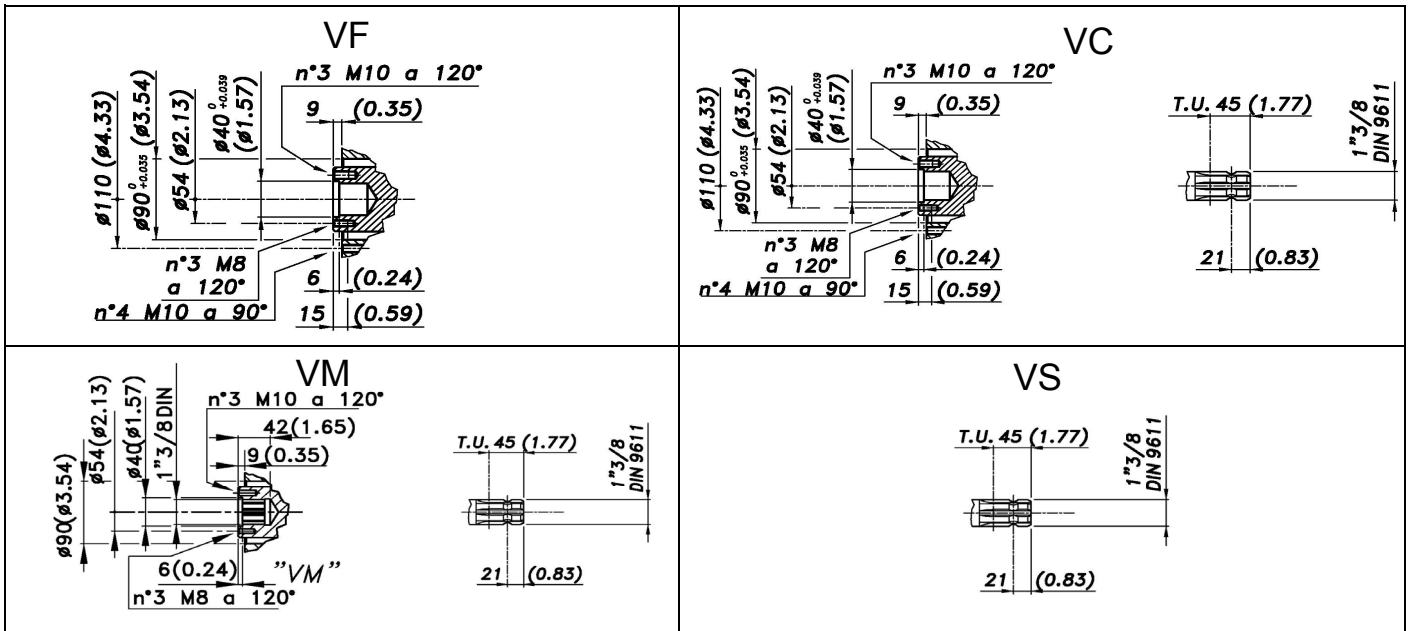


DIMENSIONI D'INGOMBRO - OVERALL DIMENSIONS



ALBERO POMPA - PUMP SHAFT



COPPIA DI SERRAGGIO - TORQUE CHART					
CODICE - CODE	Q.TY	POS	N-m	Lbr.ft	
23.0015.51.2	3	4	12	8,9	
86.2168.00.2	2	40	10	7,4	
86.2216.00.2	6	39	10	7,4	
86.2730.00.2	2	28	10	7,4	
86.3185.00.2	4	18	22	16,2	
86.3300.00.2	6	48	44	32,5	
86.3560.00.2	8	46	44	32,5	
86.3562.00.2	4	32	44	32,5	
23.0043.98.3	3	4	12	8,9	

Tolleranza di serraggio: 0/-10%
Tolerance on torque value:

INFORMAZIONI UTILI USEFUL INFORMATION				
LUBRIFICANTE- LUBRICANT: OLIO MOTORE O SEMIDRAULICO SAE 30 MOTOR OIL OR SEMI-HYDRAULIC OIL SAE 30				
PRESSIONE ACCUMULATORE ACCUMULATOR PRESSURE				
PRESSIONE DI LAVORO - OPERATING PRESSURE	2 ÷ 5	5÷10	10 ÷ 20	20 ÷ 50
ACCUMULATORE ACCUMULATOR	/	/	/	/

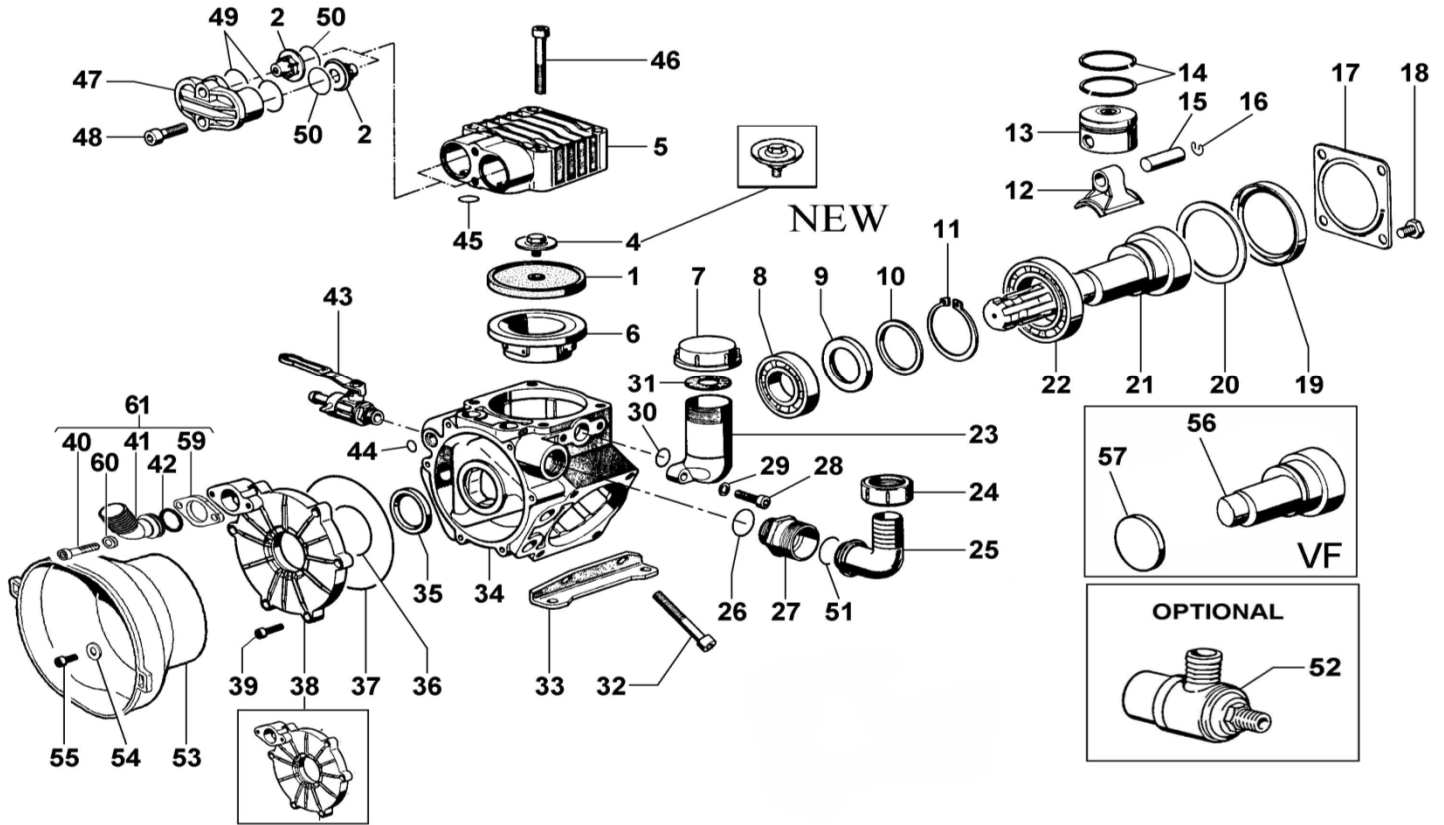
KIT MEMBRANE - DIAPHRAGMS KIT

KIT	BUNA - N		DESMOPAN		VITON							PENTAX	
	23.9828.97.3	23.9873.97.3	23.9826.97.3	23.9826.97.3	23.9826.97.3	23.9826.97.3	23.9826.97.3	23.9826.97.3	23.9826.97.3	23.9826.97.3	23.9875.97.3	23.9875.97.3	
POSIZIONE ESPLOSO POSITION NUMBER	1	45	1	45	1	44	45	49	50	36	37	1	45
QUANTITA' NEL KIT QUANTITIES INCLUDED	3	6	3	6	3	1	6	6	6	1	1	3	6

KIT POMPA/KIT VALVOLE - PUMP KIT/VALVES KIT

KIT	KIT POMPA VM PUMP KIT VM							23.9829.97.3	KIT VALVOLE VALVE KIT		
	23.9880.97.3	23.9880.97.3	23.9880.97.3	23.9880.97.3	23.9880.97.3	23.9880.97.3	23.9880.97.3		23.9880.97.3	23.9880.97.3	23.9880.97.3
POSIZIONE ESPLOSO POSITION NUMBER	35	19	44	45	49	50	36	37	2	50	49
QUANTITA' NEL KIT QUANTITIES INCLUDED	1	1	1	6	6	6	1	1	6	6	6

PA 530 - PA 530/1000



POS.	CODICE PART NO. REF.	DENOMINAZIONE - DESCRIPTION - DESCRIPTION	Q.TY	POS.	CODICE PART NO. REF.	DENOMINAZIONE - DESCRIPTION - DESCRIPTION	Q.TY
1	23.0011.31.2	PISTON DIAPHRAGM	3	31	82.4120.00.2	VITE TCEI M10x70 UNI5931	1
1	23.0011.33.2	VITON PISTON DIAPHRAGM	3	32	86.3562.00.2	SCREW M10X70 UNI 5931	4
1	23.0011.00.2	HPS PISTON DIAPHRAGM	3	33	23.0018.61.2	MOUNTING BRACKETS	2
1	23.0011.36.2	DESMOPAN PISTON DIAPHRAGM	3	34	23.0001.09.2	CRANKCASE till the 04/2016	1
2	23.9805.97.3	VALVE ASSY	6	34	23.0201.09.2	CRANKCASE from the 05/2016	1
4	23.0043.98.3	KIT DIAPHRAGM WASHER/SCREW AISI 316	3	35	80.2134.50.2	OIL SEAL DIA.35x47x7	1
4	23.0015.51.3	VITE MEMBRANA fino al 12/98	3	36	80.3209.80.2	O-RING 2,62x50,47	1
4	23.0009.32.2	PIATTELLO fino al 12/98	3	36	80.3209.85.2	O-RING 2,62x50,47 (KIT VITON)	1
5	23.0002.09.2	HEAD	3	37	80.3210.68.2	O-RING 2,62x120,32	1
6	23.0020.01.2	PISTON SLEEVE D.55 (PA 530)	3	37	80.3210.69.2	O-RING 2,62x120,32 (KIT VITON)	1
6	23.0066.01.2	PISTON SLEEVE D.55 (PA 530/1000)	3	38	23.0046.09.2	CRANKCASE COVER till the 04/2016	1
7	85.2750.00.2	OIL FILLER CAP	1	38	23.0006.09.2	CRANKCASE COVER till the 06/1999	1
8	81.2846.00.2	BEARING DIA.35x72x17	1	38	23.0202.09.2	CRANKCASE COVER from the 05/2016	1
9	23.0019.76.2	RING	1	39	86.2216.00.2	SCREW M6x25 UNI5931	6
10	26.0047.76.2	RING	1	40	86.2108.00.2	SCREW M6x16 UNI5931	2
11	80.1377.00.2	RING DIA.55 "VF"- "VC"- "VM"	1	41	31.1515.09.2	DIRECTIONAL FITTING G.1/2	1
12	23.0005.09.2	LIGHT ALLOY CONROD	3	42	80.3218.00.2	O-RING 3,0x22	1
12	23.0045.11.2	BRONZE CONROD	3	43	84.5544.10.2	LEFT TAP G.3/8-G.1/2	1
13	23.0007.09.2	PISTON D.55	3	44	80.3176.00.2	O-RING 2,62x11,91 till the 04/2016	1
14	81.8504.50.2	PISTON RING	6	44	80.3176.50.2	O-RING 2,62x11,91 (KIT VITON) till the 04/2016	1
15	85.2006.70.2	PISTON PIN DIA.15	3	44	80.3189.00.2	O-RING 2,62x18,72 from the 05/2016	1
16	80.0021.00.2	RING DIA.15	6	44	80.3189.50.2	O-RING 2,62x18,72 (KIT VITON) from the 05/2016	1
17	17.0013.61.2	COVER	1	45	80.3189.00.2	O-RING 2,62x18,72	6
18	86.3185.00.2	SCREW M10x16 UNI5739	4	45	80.3189.50.2	O-RING 2,62x18,72 (KIT VITON)	6
19	80.2264.10.2	OIL SEAL DIA.68x90x10 "VF"- "VC"- "VM"	1	46	86.3560.00.2	SCREW M10X65 UNI 5931	8
19	80.2156.00.2	COVER "VS"	1	47	23.0003.09.2	VALVE COVER	3
20	17.0024.76.2	SPACER	1	48	86.3300.00.2	SCREW M10x30 UNI5931	6
21	23.0023.26.2	CRANKSHAFT"VC"(PA 530)	1	49	80.3219.20.2	O-RING 3,0x35	6
21	23.0065.26.2	CRANKSHAFT"VC"(PA 530/1000)	1	49	80.3219.50.2	O-RING 3,0x35 (KIT VITON)	6
21	23.0024.26.2	CRANKSHAFT "VM" (1"3/8 M-F)	1	50	80.3207.00.2	O-RING 2,62x29,82	6
21	23.0036.26.2	CRANKSHAFT "VS" (1"3/8 M)	1	50	80.3207.50.2	O-RING 2,62x29,82 (KIT VITON)	6
22	81.2972.00.2	BEARING DIA.55x90x18	1	51	80.3219.00.2	O-RING 3,0x25	1
23	23.0008.32.2	OIL FILLER	1	52	24.3040.97.3	SAFETY VALVE 40bar (OPTIONAL)	1
24	82.0067.50.2	WING NUT G.1"1/4	1	53	31.1467.32.2	SAFETY CONE (OPTIONAL)	1
25	84.0560.00.2	90° ELBOW CONNECTOR DIA.30-1,18"	1	54	84.3618.00.2	WASHER DIA.6,4x18x1,5 (OPTIONAL)	3
25	84.0565.00.2	90° ELBOW CONNECTOR DIA.32-1,25" (OPT.)	1	55	86.2086.00.2	SCREW M6x14 UNI5931 (OPTIONAL)	3
26	80.3207.00.2	O-RING 2,62x29,82	1	56	23.0028.26.2	CRANKSHAFT"VF"(SEE OVERALL DIMENSIONS)	1
27	83.5089.00.2	NIPPLES G.1"-G.1"1/4	1	57	80.2099.50.2	COVER "VF"	1
28	86.2730.00.2	SCREW M8x30 UNI5931	2	59	31.1517.61.2	FLANGE LOCK FITTING	1
29	84.3685.00.2	WASHER DIA.8,4x15x1,5	2	60	84.3585.00.2	WASHER D.6	2
30	80.3180.00.2	O-RING 2,62x15,08	1	61	31.8916.97.3	FITTING KIT G.1/2	1