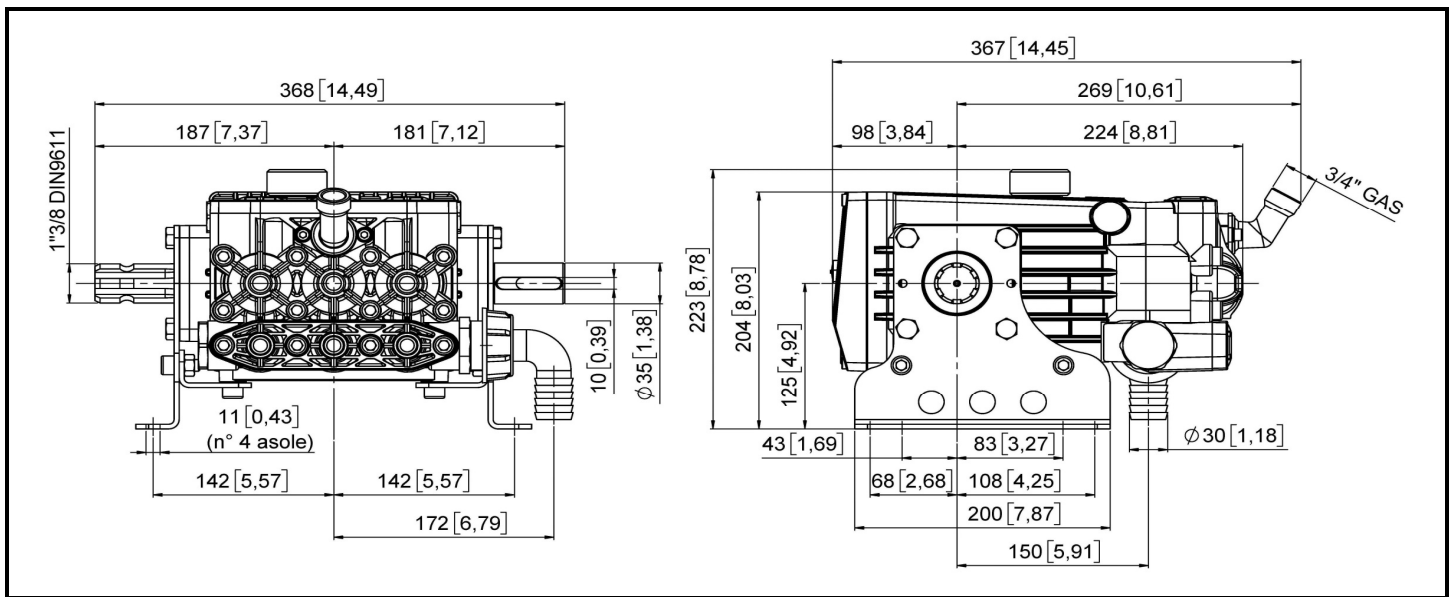
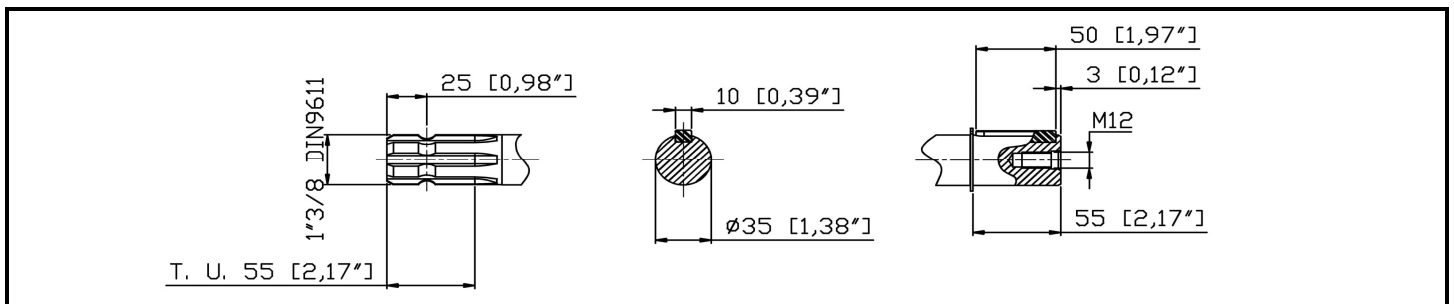


DIMENSIONI D'INGOMBRO - OVERALL DIMENSIONS



ALBERO POMPA - PUMP SHAFT



COPPIA DI SERRAGGIO - TORQUE CHART

CODICE - CODE	Q.TY	POS	N-m	Lbr.ft
86.2316.00.2	9	13	10	7,4
86.2730.00.2	6	54	22 (LOXEAL 54-03)	16,2 (LOXEAL 54-03)
86.3562.00.2	8	36	40	29,6
86.3300.00.2	8	38	40	29,6
53.0015.53.2	3	34	35 (LOXEAL 54-03)	25,9 (LOXEAL 54-03)
86.3325.00.2	3	32	28 (LOXEAL 83-54)	20,7 (LOXEAL 83-54)
86.2108.00.2	2	66	10	7,4
86.3212.00.2	8	52	40	29,6
86.3276.00.2	8	67	40	29,6

Tolleranza di serraggio: 0/-10%
Tolerance on torque value: 0/-10%

**INFORMAZIONI UTILI
USEFUL INFORMATION**

LUBRIFICANTE - LUBRICANT:
OLIO MOTORE O SEMIIDRAULICO SAE 30
MOTOR OIL OR SEMI-HYDRAULIC OIL SAE 30



