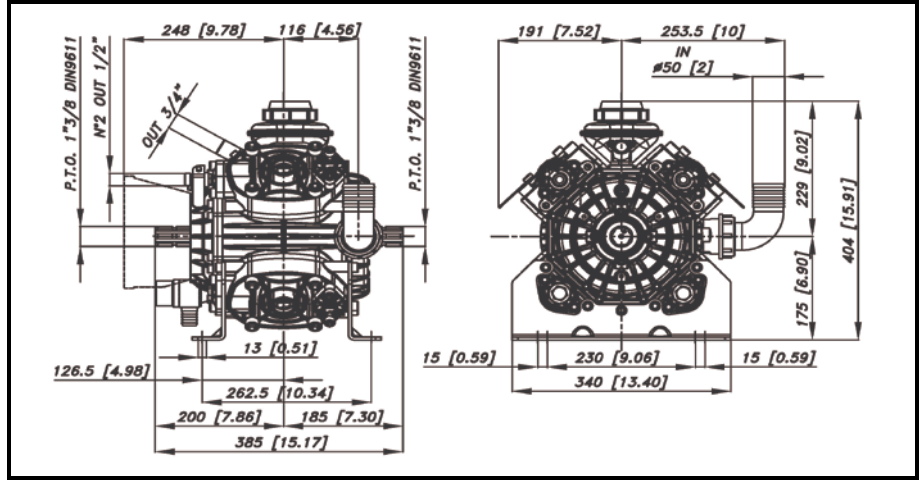
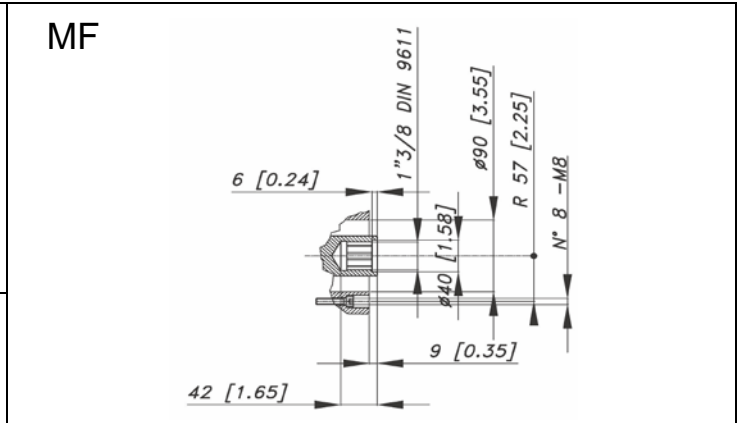
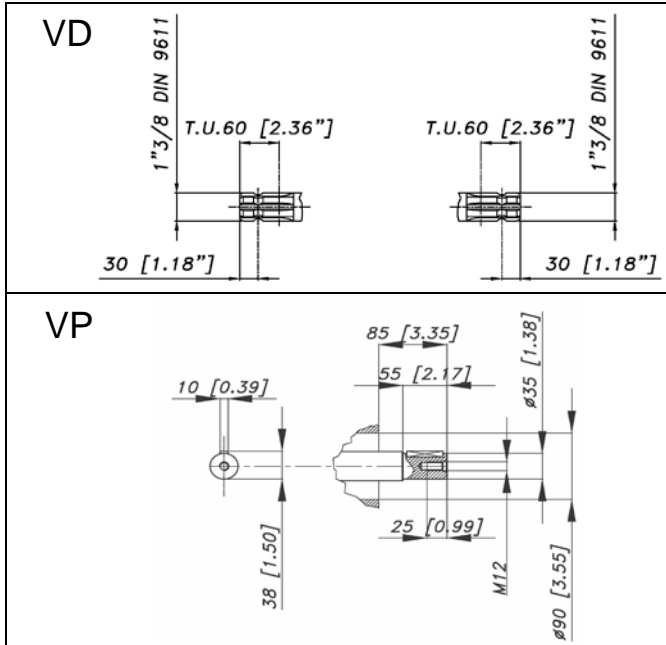




DIMENSIONI D'INGOMBRO - OVERALL DIMENSIONS



ALBERO POMPA - PUMP SHAFT



COPPIA DI SERRAGGIO - TORQUE CHART					
CODICE - CODE	Q.TY	POS	N-m	Lbr.ft	
86.2730.00.2	20	3	22	16,2	
86.2752.00.2	8	4	22	16,2	
86.3265.00.2	9	12	44	32,5	
86.3347.00.2	1	15	44	32,5	
41.9835.97.3	4	22	25	18,5	
86.4250.00.2	16	45	108	79,7	
86.3300.00.2	16	52	44	32,5	
85.2543.50.2	1	66	22	16,2	

Tolleranza di serraggio: 0/-10%
Tolerance on torque value: 0/-10%

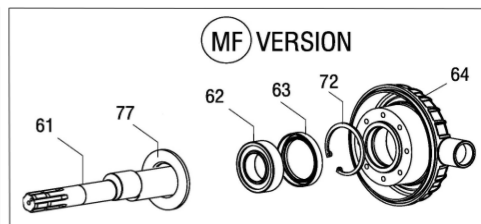
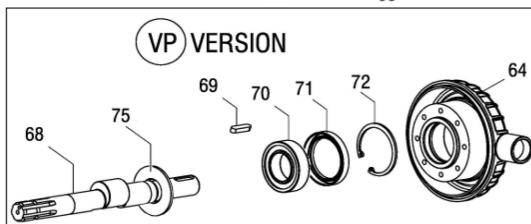
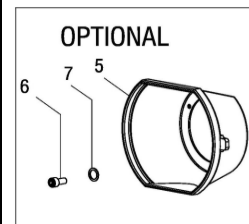
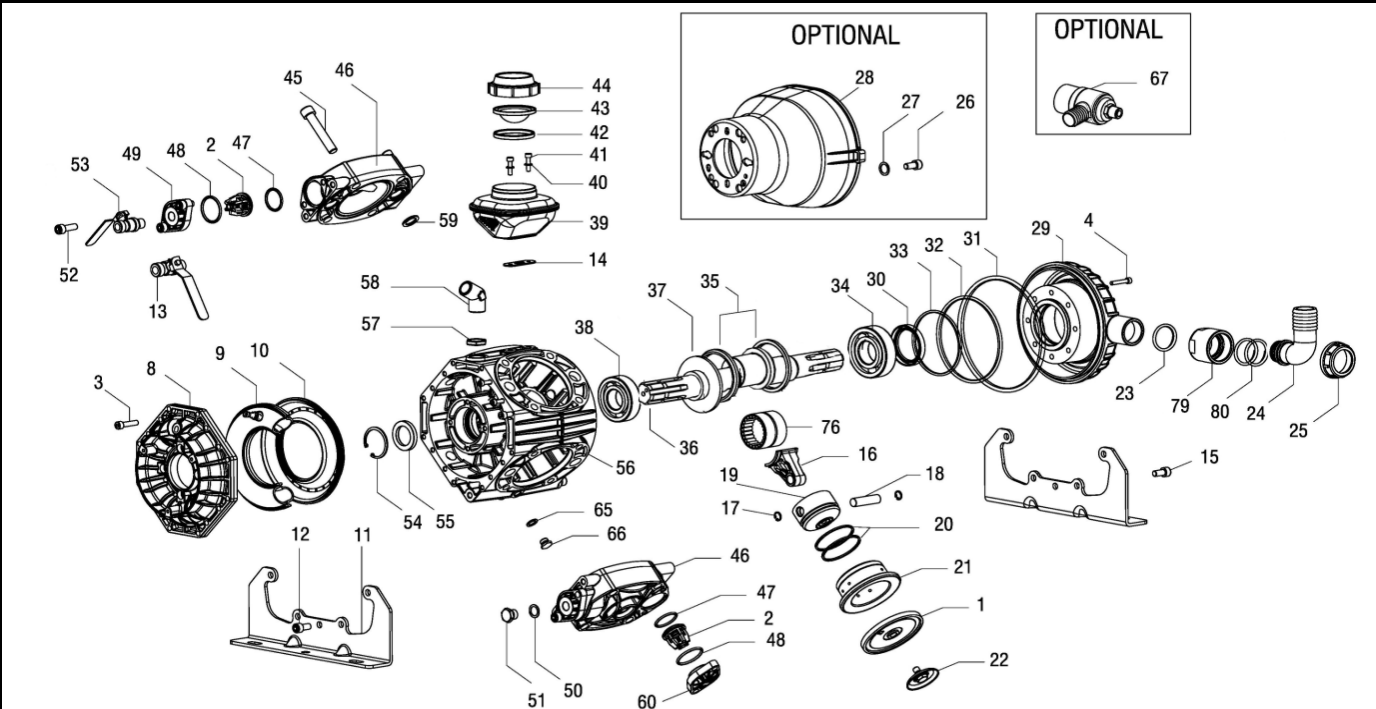
INFORMAZIONI UTILI USEFUL INFORMATION				
LUBRIFICANTE- LUBRICANT:				
OLIO MOTORE O SEMIDRAULICO SAE 30 MOTOR OIL OR SEMI-HYDRAULIC OIL SAE 30				
PRESSIONE ACCUMULATORE ACCUMULATOR PRESSURE				
PRESSIONE DI LAVORO - OPERATING PRESSURE	2 ÷ 5	5÷10	10 ÷ 20	20 ÷ 50
ACCUMULATORE ACCUMULATOR	2	2 ÷ 5	5 ÷ 7	6 ÷ 8

KIT MEMBRANE - DIAPHRAGMS KIT

KIT	BUNA - N			DESMOPAN			VITON					PENTAX				
	41.9875.97.3	41.9876.97.3	41.9877.97.3	41.9875.97.3	41.9876.97.3	41.9877.97.3	41.9875.97.3	41.9876.97.3	41.9877.97.3	41.9878.97.3	41.9879.97.3	41.9880.97.3	41.9881.97.3			
POSIZIONE ESPLOSO POSITION NUMBER	1	9	59	1	9	59	1	9	31	32	47	48	59	1	9	59
QUANTITA' NEL KIT QUANTITIES INCLUDED	4	1	8	4	1	8	4	1	1	1	8	8	8	4	1	8

KIT POMPA/KIT VALVOLE - PUMP KIT/VALVES KIT

KIT	KIT POMPA VD PUMP KIT VD								41.9884.97.A	KIT POMPA VP-MF PUMP KIT VM								41.9870.97.3	KIT VALVOLE VALVE KIT		
	41.9882.97.A	41.9883.97.A	41.9884.97.A	41.9885.97.A	41.9886.97.A	41.9887.97.A	41.9888.97.A	41.9889.97.A		41.9882.97.A	41.9883.97.A	41.9884.97.A	41.9885.97.A	41.9886.97.A	41.9887.97.A	41.9888.97.A	41.9889.97.A		41.9890.97.A	41.9891.97.A	
POSIZIONE ESPLOSO POSITION NUMBER	55	30	59	31	32	33	47	48	55	63-71	59	31	32	33	47	48	2	47	48		
QUANTITA' NEL KIT QUANTITIES INCLUDED	1	1	8	1	1	1	8	8	1	1	8	1	1	1	8	8	8	8	8		



POS.	CODICE PART NO. REF.	DENOMINAZIONE - DESCRIPTION - DESCRIPTION	Q.TY	POS.	CODICE PART NO. REF.	DENOMINAZIONE - DESCRIPTION - DESCRIPTION	Q.TY
1	95.0040.31.2	BUNA-N PISTON DIAPHRAGM	4	36	41.0200.26.2	CRANKSHAFT "VD" (1"3/8 M-M)	1
1	95.0040.33.2	VITON PISTON DIAPHRAGM (OPTIONAL)	4	37	41.0206.19.2	SHAFT RING	1
1	95.0040.00.2	DESMOPAN PISTON DIAPHRAGM (OPTIONAL)	4	38	81.2919.00.2	ROLLER BEARING DIA.40X80X18	1
1	95.0040.36.2	HPS PISTON DIAPHRAGM (OPTIONAL)	4	39	40.9801.97.3	OIL FILLER ASSY	1
2	35.9802.97.3	VALVES ASSEMBLY	8	40	84.3585.00.2	WASHER DIA.6 UNI 6592	2
3	86.2730.00.2	SCREW M8x30 UNI 5931	20	41	86.2216.00.2	BOLT M6X25 UNI 5931	2
4	86.2752.00.2	SCREW M8x35 UNI 5931	8	42	14.0116.32.2	DIAPHRAGM SPACER	1
5	31.1466.32.2	PLAIN SAFETY CONE (OPTIONAL)	1	43	41.0017.31.2	OIL FILLER DIAPHRAGM	1
6	86.1846.00.2	SCREW M5,5x16 UNI 6954 (OPTIONAL)	3	44	28.0144.32.2	OIL FILLER COVER	1
7	84.3560.00.2	WASHER DIA. 5,5x15x1,6 (OPTIONAL)	3	45	86.4250.00.2	BOLT M14x70 UNI 5931	16
8	41.0105.09.2	BALLASTER COVER	1	46	41.0111.09.2	PUMP HEAD	4
9	41.0120.97.3	NBR BALLASTER DIAPHRAGM	1	47	80.3251.00.2	O-RING DIA.3,53x32,93	8
10	41.0104.09.2	LOWER BALLASTER	1	47	80.3251.50.2	O-RING DIA.3,53x32,93 (KIT VITON)	8
11	41.0113.61.2	MOUNTING RAIL	2	48	80.3262.00.2	O-RING DIA.3,53x41,28	8
12	86.3265.00.2	SCREW M10x25 UNI 5931	5	48	80.3262.50.2	O-RING DIA.3,53x41,28 (KIT VITON)	8
13	84.5544.10.2	LEFT TAP G.3/8"-G.1/2"	1	49	41.0110.09.2	VALVE COVER G.3/8"	4
14	14.0017.72.2	GASKET	1	50	82.4107.00.2	GASKET	2
15	86.3265.00.2	SCREW M10x25 UNI 5931	5	51	85.2579.00.2	CAP G.3/8"	2
16	41.0205.09.2	CONROD	4	52	86.3300.00.2	BOLT M10x30 UNI 5931	16
17	80.0021.00.2	RING DIA.15	8	53	84.5544.00.2	RIGHT TAP G.3/8"-G.1/2"	1
18	85.2007.00.2	PISTON PIN DIA.15x54	4	54	80.1369.00.2	SNAP RING DIA.52	1
19	48.0028.09.2	PISTON	4	55	80.2178.10.2	OIL SEAL DIA.40x52x7	1
20	81.8530.00.2	PISTON RING	8	56	41.0133.09.2	PUMP CRANKCASE	1
21	48.0029.01.2	PISTON SLEEVE	4	57	81.4909.00.2	BRASS NUT G.3/4"	1
22	41.9835.97.3	KIT DISK + SCREW INOX	4	58	83.5063.28.2	60° ELBOW CONNECTOR G.3/4	1
23	80.3080.30.2	O-RING DIA.1,78X41	1	59	80.3200.00.2	O-RING DIA.2,62x22,22	8
23	80.3080.35.2	O-RING DIA.1,78X41 (KIT VITON)	1	59	80.3200.50.2	O-RING DIA.2,62x22,22 (KIT VITON)	8
24	84.0610.00.2	90° ELBOW CONNECTOR DIA.50-1,97"	1	60	41.0109.09.2	VALVE COVER	4
25	82.0120.00.2	WING NUT G.2"	1	61	41.0201.26.2	CRANKSHAFT "MF" (1"3/8 M-F)	1
26	86.1846.00.2	SCREW M5,5x16 UNI 6954 (OPTIONAL)	4	62	81.2970.00.2	ROLLER BEARING 50X90X23	1
27	84.3560.00.2	WASHER DIA.5,5x15x1,6 (OPTIONAL)	4	63	80.2235.00.2	OIL SEAL DIA.50X80X10	1
28	31.1482.32.2	PLAIN SAFETY CONE L.180 (OPTIONAL)	1	64	41.0116.09.2	INLET COVER "VP-MF"	1
28	31.1468.32.2	PLAIN SAFETY CONE L.135 (OPTIONAL)	1	65	82.4079.00.2	WASHER	1
29	41.0112.09.2	INLET COVER "VD"	1	66	85.2543.50.2	CAP G.1/4"	1
30	80.2190.00.2	OIL SEAL DIA.40x72x10 "VD"	1	67	24.3050.97.3	SAFETY VALVE 50 BAR (OPTIONAL)	1
31	80.3295.00.2	O-RING DIA.3,53x190,10	1	68	41.0202.26.2	CRANKSHAFT "VP" (SOLID SHAFT Ø35mm)	1
31	80.3295.50.2	O-RING DIA.3,53x190,10 (KIT VITON)	1	69	80.6580.00.2	KEY 10X8X50 UNI 6604	1
32	80.3210.70.2	O-RING DIA.2,62x126,67	1	70	81.2912.00.2	ROLLER BEARING DIA.40X90X23	1
32	80.3210.75.2	O-RING DIA.2,62x126,67 (KIT VITON)	1	71	80.2189.70.2	OIL SEAL DIA. 40X80X8	1
33	80.3291.00.2	O-RING DIA.3,53x88,5	1	72	80.1428.00.2	SNAP RING DIA.80 UNI 7437	1
34	81.2913.00.2	BEARING 40X90X23	1	75	41.0206.19.2	SHAFT RING	1
35	41.0204.19.2	CONROD HOLDING RING	2	76	81.3024.00.2	NEEDLE ROLLER BEARING	2
				77	41.0207.19.2	SHAFT RING ("MF")	1
				79	41.0137.46.2	NIPPLE	1
				80	80.3209.10.2	O-RING DIA.2,62X40,95	2