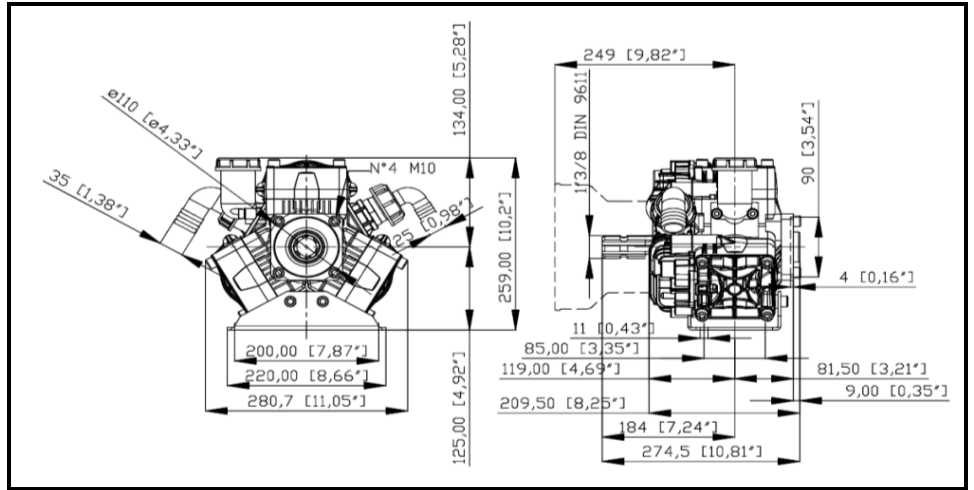
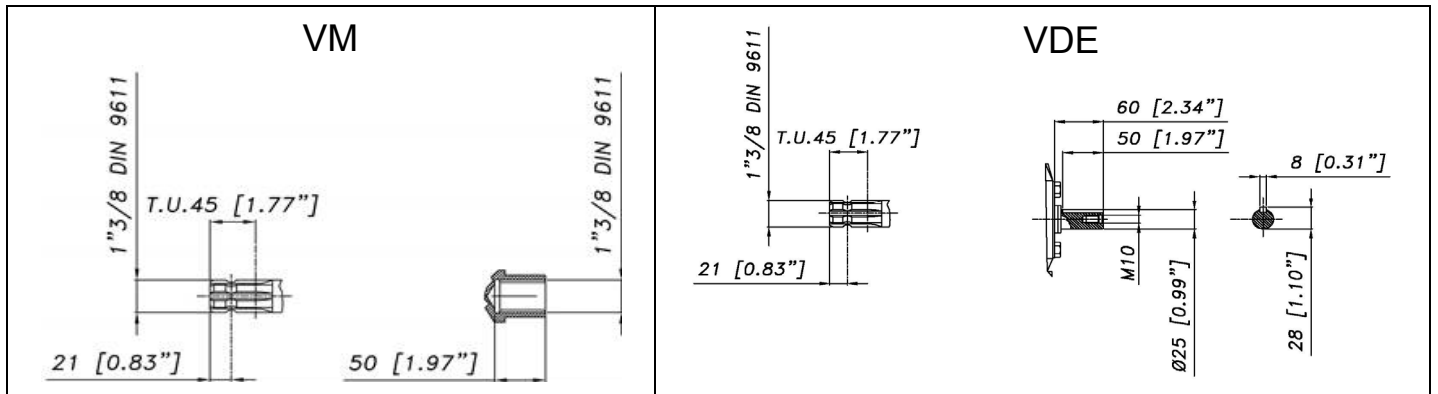


## DIMENSIONI D'INGOMBRO - OVERALL DIMENSIONS



## ALBERO POMPA - PUMP SHAFT



COPPIA DI SERRAGGIO - TORQUE CHART				
CODICE - CODE	Q.TY	POS	N·m	Lbr.ft
63.9808.97.3	3	3	25	18,5
83.5089.00.2	1	43	20	14,8
85.2585.00.2	3	47	5 (LOXEAL 55-14)	3,7 (LOXEAL 55-14)
86.2684.00.2	2	24	5	3,7
86.2914.00.2	9	37	10	7,4
86.3300.05.2	4	17	22	16,3
86.1820.76.2	6	36	3	2,2
86.3265.50.2	3	11	44	32,5
86.3187.05.2	4	17	22	16,3
86.3694.65.2	1	75	40	29,5
86.3562.05.2	12	28	30	22

Tolleranza di serraggio: 0/-10%  
Tolerance on torque value: 0/-10%

INFORMAZIONI UTILI USEFUL INFORMATION				
LUBRIFICANTE - LUBRICANT: OLIO MOTORE O SEMIIDRAULICO SAE 30 MOTOR OIL OR SEMI-HYDRAULIC OIL SAE 30				
PRESSIONE ACCUMULATORE ACCUMULATOR PRESSURE				
PRESSIONE DI LAVORO - OPERATING PRESSURE	2 + 5	5 + 10	10 + 20	20 + 50
ACCUMULATORE ACCUMULATOR	/	/	/	/

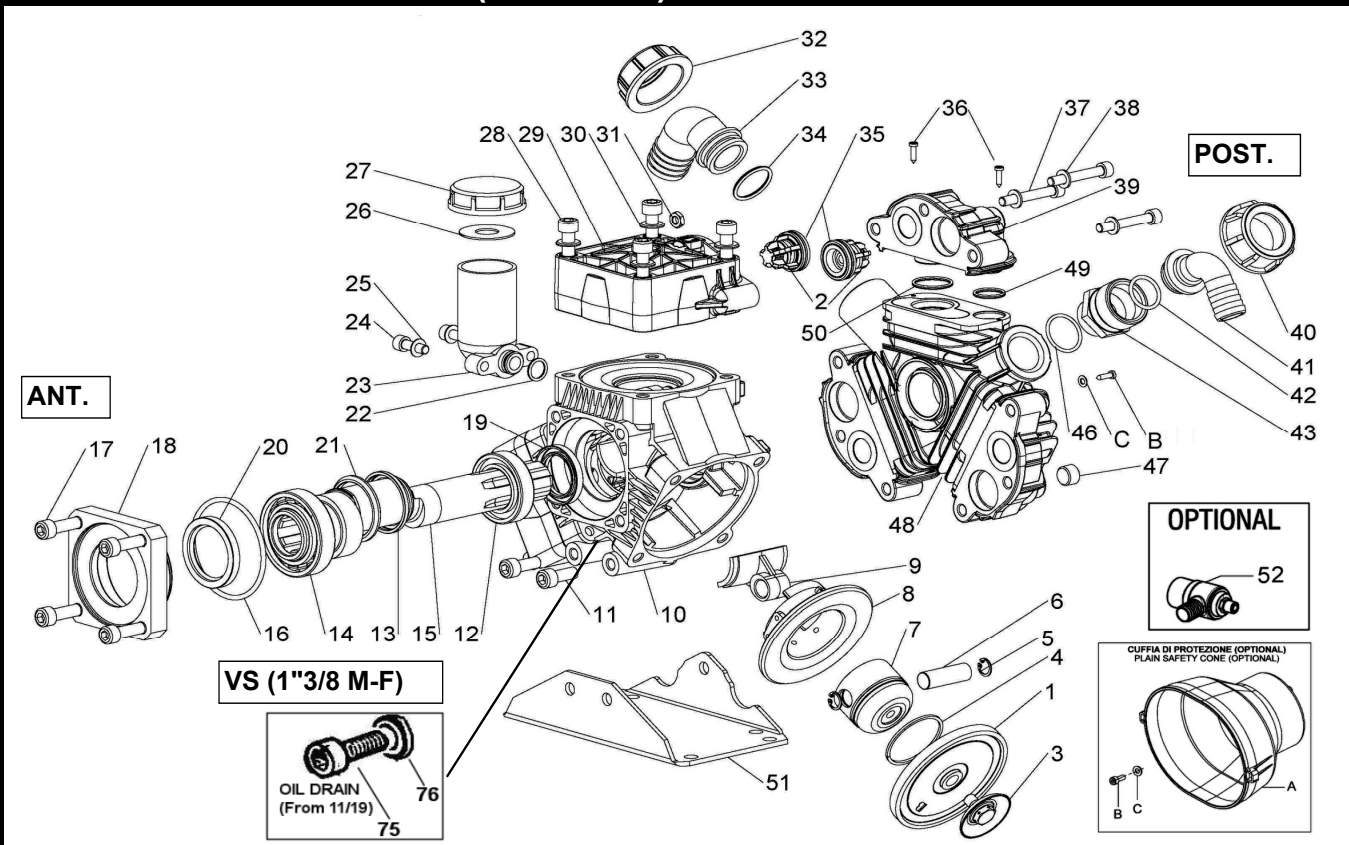
## KIT MEMBRANE - DIAPHRAGMS KIT

KIT	63.9809.97.3		BUNA - N	35	63.9810.97.3DS	PRE-SET DURAMAX		63.9810.97.3	PRE-SET DESMOPAN		63.9811.97.3	VITON					63.9812.97.3	PENTAX	
	1	2				1	2		1	2		1	35	46	49	50		1	35
POSIZIONE ESPLOSO POSITION NUMBER	1	2				1	2	1	2			1	35	46	49	50		1	35
QUANTITA' NEL KIT QUANTITIES INCLUDED	3	6				3	6	3	6			3	6	1	3	3		3	6

## KIT POMPA/KIT VALVOLE - PUMP KIT/VALVES KIT

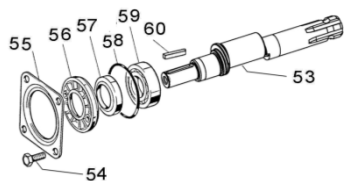
KIT	63.9815.97.3	KIT POMPA VM PUMP KIT VM				63.9817.97.3	KIT POMPA VDE VI PUMP KIT VDE				63.9816.97.3	KIT VALVOLE VALVES KIT	
		16	20	35	19		58	57	35	19		2	35
POSIZIONE ESPLOSO POSITION NUMBER													
QUANTITA' NEL KIT QUANTITIES INCLUDED		1	1	6	1	1	1	6	1		6	6	

# POLY 2085 PREMIUM VM (1"3/8 M-F)



## VERSIONI

### VDE (1"3/8 -D.25 M-M)



POS.	CODICE PART NO. REF.	DENOMINAZIONE - DESCRIPTION - DESCRIPTION	Q.TY	POS.	CODICE PART NO. REF.	DENOMINAZIONE - DESCRIPTION - DESCRIPTION	Q.TY
1	95.0040.31.2	BUNA PISTON DIAPHRAGM	3	30	84.3805.00.2	ROSETTA D.10,5x21x2	12
1	95.0040.33.2	VITON PISTON DIAPHRAGM	3	31	81.4573.00.2	NUT M8 UNI 5588	9
1	95.0040.00.ADS	PRE-SET DURAMAX PISTON DIAPHRAGM	3	32	82.0070.00.2	WING NUT G.1"1/2	1
1	95.0040.00.A	PRE-SET DESMOPAN PISTON DIAPHRAGM	3	33	84.0570.00.2	90° ELBOW CONNECTOR DIA.35-1,37"	1
1	95.0040.36.2	HPS PISTON DIAPHRAGM	3	33	84.0561.00.2	90° ELBOW CONNECTOR DIA.30-1,18" (OPT.)	1
2	23.9906.97.3	PISTON RING	6	33	84.0566.00.2	90° ELBOW CONNECTOR DIA.2-1,25" (OPT.)	1
3	63.9808.97.3	RING D.15	3	33	84.0571.00.2	90° ELBOW CONNECTOR DIA.38-1,49" (OPT.)	1
4	81.8504.50.2	PISTON PIND.15x46	3	33	84.0591.00.2	90° ELBOW CONNECTOR DIA.40-1,57" (OPT.)	1
5	80.0021.00.2	PISTON	6	34	80.3219.15.2	O-RING DIA.3,0x30	1
6	85.2006.70.2	PISTON SLEEVE	3	35	80.3247.60.2	O-RING DIA.3,53X28,17	6
7	63.0132.09.2	PISTONE	3	36	86.1820.76.2	SCREW DIA.3,5X16	6
8	63.0015.01.2	CAMICIA	3	37	86.2914.00.2	SCREW M8X55 UNI5931	9
9	23.0005.09.2	LIGHT ALLOY CONROD	3	38	84.3685.40.2	WASHER DIA.8,2x15x1,5	9
9	23.0045.11.2	BRONZE CONROD (OPTIONAL)	3	39	63.0129.32.2	VALVES CONNECTOR 3/8"	3
10	63.0111.09.2	CRANKCASE	1	40	82.0067.50.2	WING NUT G.1"1/4	1
11	86.3265.50.2	SCREW M10x25 UNI5931	3	41	84.0542.40.2	90° ELBOW CONNECTOR DIA.25-1"	1
12	81.2837.00.2	BEARING 35X62X14	1	42	80.3219.05.2	O-RING 3,0x25	1
13	63.0114.76.2	CRANKSHAFT SPACER	1	43	83.5089.50.2	NIPPLESG.1"-G.1"1/4	1
14	81.2933.00.2	BEARING 45X75X16	1	46	80.3207.50.2	O-RING 2,62x29,82	1
15	63.0118.26.2	CRANKSHAFT"VM"	1	47	85.2585.00.2	CAP G.3/8	3
16	80.3310.00.2	O-RING 4,0x82	1	48	63.0130.32.2	MANIFOLD	1
17	86.3300.05.2	SCREW M10x16 UNI5931	4	49	80.3217.45.2	O-RING DIA.3X18	3
18	63.0119.54.2	COVER	1	50	80.3206.50.2	O-RING DIA. 2,62X28,25	3
19	80.2143.10.2	OIL SEAL DIA. 35X52X7	1	51	63.0135.61.2	MOUNTING RAIL	1
20	80.2191.10.2	OIL SEAL DIA. 45X62X7	1	52	24.3016.97.3	SAFETY VALVE 15BAR (OPTIONAL)	1
21	26.0047.76.2	RING	1	53	63.0113.26.2	CRANKSHAFT "VDE"	1
22	80.3180.00.2	O-RING 2,62x15,08	1	54	86.3187.05.2	SCREW M10x30 UNI5931	1
23	23.0008.32.2	OIL FILLER	1	55	17.0016.61.2	COVER	1
24	86.2684.00.2	SCREW M8x25 UNI5931	2	56	53.0007.32.2	HOUSING	1
25	84.3685.40.2	WASHER D.8,2x15x1,5	2	57	80.2143.10.2	OIL SEAL DIA. 35X52X7	1
26	82.4120.00.2	GASGHET DIA.19x45x1,5	1	58	80.3310.00.2	O-RING DIA.4,0x82	1
27	85.2750.00.2	OIL FILLER CAP	1	59	81.2837.00.2	BEARING 35X62X14	1
28	86.3562.05.2	SCREW M10x70 UNI5931	12	60	80.6540.00.2	TAB 8X7X45	1
29	63.0128.32.2	HEAD	3	75	86.3694.65.2	SCREW M12x20 UNI5931	1
				76	82.4066.00.2	GASKET DIA.13,2x17x1 COPPER	1
CUFFIA DI PROTEZIONE LATO ANT. (OPTIONAL)				CUFFIA DI PROTEZIONE LATO POST. (OPTIONAL)			
A	31.1468.32.2	PLAIN SAFETY CONE L=135	1	A	31.1468.32.2	PLAIN SAFETY CONE L=135	1
B	/	USE STANDARD SCREW OF PUMP	4	B	86.1843.00.2	USE STANDARD SCREW OF PUMP	3
C	/	USE SPECIAL WASHER OF PLAIN SAFETY C.	4	C	84.3559.80.2	USE STANDARD WASHER OF PUMP	3