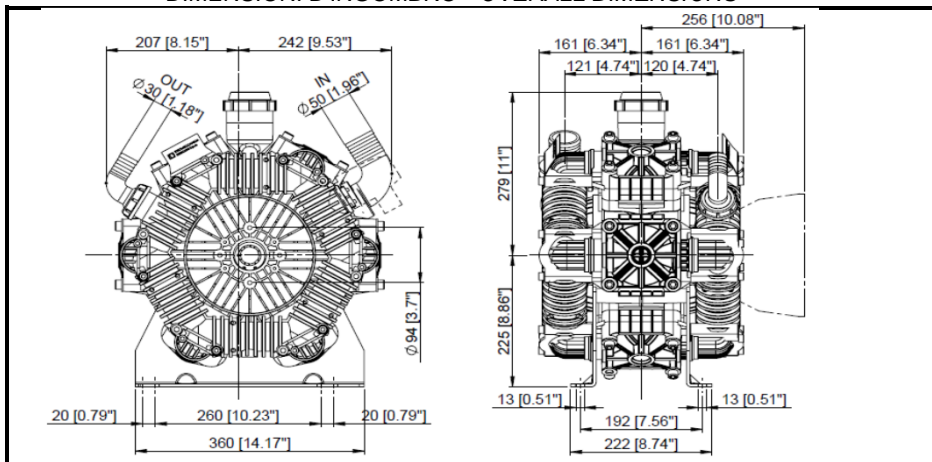
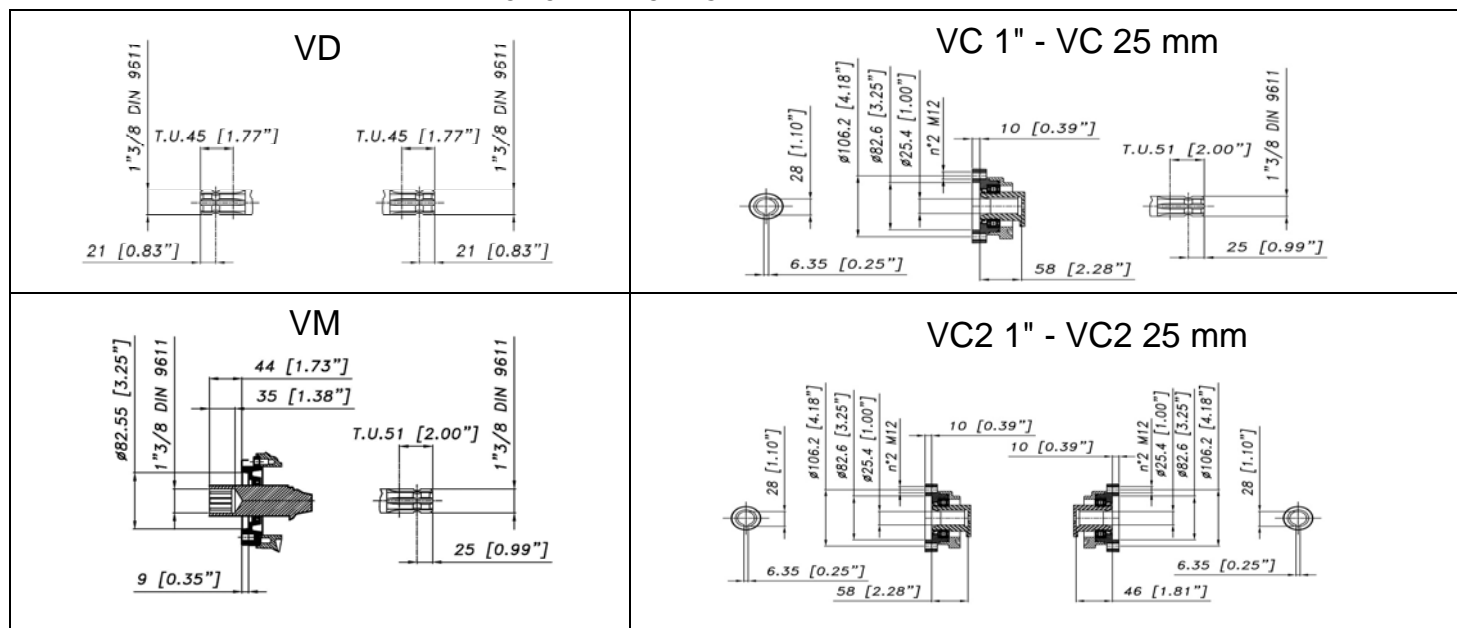




DIMENSIONI D'INGOMBRO - OVERALL DIMENSIONS



ALBERO POMPA - PUMP SHAFT



COPPIA DI SERRAGGIO - TORQUE CHART				
CODICE - CODE	Q.TY	POS	N-m	Lbr.ft
62.9811.97.3	6	47	25	18,4
85.2577.00.2	1	15	5 (LOXEAL 24-18)	3,7 (LOXEAL 24-18)
86.2168.00.2	2	45	5	7,3
86.2684.00.2	4	79	22	16,3
86.3694.65.2	1	25	40	29,5
86.2562.20.2	6	32	22	16,3
86.2682.50.2	2	34	22	16,3
86.3044.05.2	24	40	15	11
86.4139.10.2	3	28	70	51,6
86.4068.50.2	24	8	40	29,5

Tolleranza di serraggio: 0/-10%
Tolerance on torque value:

INFORMAZIONI UTILI USEFUL INFORMATION				
LUBRIFICANTE - LUBRICANT: OLIO MOTORE O SEMIDRAULICO SAE 30 MOTOR OIL OR SEMI-HYDRAULIC OIL SAE 30				
PRESSIONE ACCUMULATORE ACCUMULATOR PRESSURE				
PRESSIONE DI LAVORO - OPERATING PRESSURE	2 ÷ 5	5÷10	10 ÷ 20	20 ÷ 50
ACCUMULATORE ACCUMULATOR	/	/	/	/

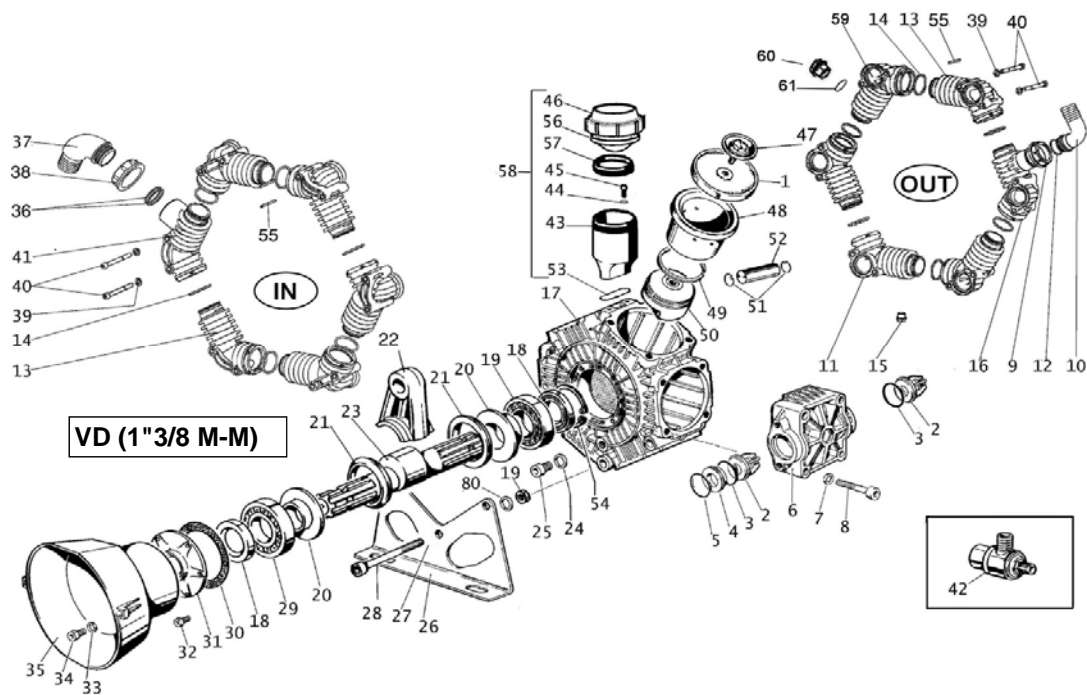
KIT MEMBRANE - DIAPHRAGMS KIT

KIT	PRE-SET DURAMAX		PRE-SET DESMOPAN		VITON				PENTAX	
	1	3	1	3	1	3	5	14	1	3
POSIZIONE ESPLOSO POSITION NUMBER	1	3	1	3	1	3	5	14	1	3
QUANTITA' NEL KIT QUANTITIES INCLUDED	6	12	6	12	6	12	6	12	6	12

KIT POMPA/KIT VALVOLE - PUMP KIT/VALVES KIT

KIT	KIT POMPA VD VD PUMP KIT					KIT POMPA VC1/VM VC1/VM PUMP KIT				KIT POMPA VC2 VC2 PUMP KIT				VALVOLE 303 VALVES INOX 303			VALVOLE 316 VALVES INOX 316						
	18	5	14	3	30	5	14	3	30	18	69	5	14	3	30	69	74	2	3	5	2	3	5
POSIZIONE ESPLOSO POSITION NUMBER	18	5	14	3	30	5	14	3	30	18	69	5	14	3	30	69	74	2	3	5	2	3	5
QUANTITA' NEL KIT QUANTITIES INCLUDED	2	6	12	12	1	6	12	12	1	1	1	6	12	12	1	1	1	12	12	6	12	12	6

POLY 2250 - 2260 VD (1"3/8 M-M)

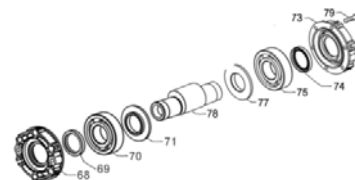
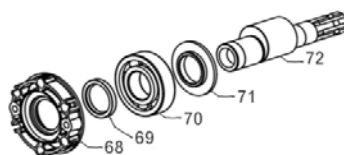
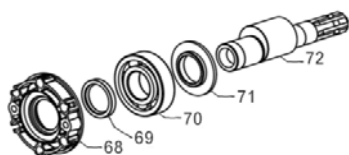


VERSIONS

VM (1"3/8 M-F)

**VC (1"3/8 - D.1" M-F)
VC (1"3/8 - D.25mm M-F)**

**VC2 (D.1" F-F)
VC2 (D.25mm F-F)**



POS.	CODICE PART NO. REF.	DENOMINAZIONE - DESCRIPTION - DESCRIPTION	Q.TY	POS.	CODICE PART NO. REF.	DENOMINAZIONE - DESCRIPTION - DESCRIPTION	Q.TY
1	62.0040.00.ADS	PRE-SET DURAMAX PISTON DIAPHRAGM (STD)	6	36	80.3209.15.2	O-RING 2,62x40.95 VITON	2
1	62.0040.00.A	PRE-SET DESMOPAN PISTON DIAPHRAGM (OPT)	6	37	84.0610.00.2	90°ELBOW CONNECTOR DIA.50-1,96"	1
1	62.0040.33.2	VITON PISTON DIAPHRAGM (OPT)	6	37	84.1643.00.2	STRAIGHT CONNECTOR DIA.50-1,96" (OPT)	1
2	28.9905.97.3	S.S. AISI 316 VALVE ASSY (STD.)	12	38	82.0120.00.2	WING NUT G.2"	1
2	28.9809.97.3	S.S. AISI 303 VALVE ASSY (OPT)	12	39	84.3697.00.2	WASHER DIA.8,4x18x2	24
3	80.3314.50.2	O-RING 4,5x40 VITON	12	40	86.3044.05.2	SCREW M8x90 UNI5931	24
4	28.0229.32.2	VALVE ASSY SPACER	6	41	14.0032.32.2	PIPE MANIFOLD G 2"	1
5	80.3209.30.2	O-RING 2,62x42,52 VITON	6	42	24.3115.97.3	SAFETY VALVE 15 bar (OPT)	1
6	62.0025.32.2	HEAD	6	43	14.0117.32.2	BOWL OIL FILLER	1
7	84.3845.00.2	WASHER DIA.13x24x2,5	24	44	84.3585.00.2	WASHER D.6,4X12,5X1,6	2
8	86.4068.50.2	SCREW M12x75 UNI5931	24	45	86.2168.00.2	SCREW M6x22 UNI5931	2
9	82.0070.00.2	WING NUT G.1"1/2	1	46	28.0144.32.2	OIL FILLER CAP	1
10	84.0561.00.2	90° ELBOW CONNECTOR DIA.30-1,18"	1	47	62.9811.97.3	KIT SCREW/DISK INOX	6
10	84.0566.00.2	90° ELBOW CONNECTOR DIA.32-1,25" (OPT)	1	48	62.0020.01.2	PISTON SLEEVE POLY 2250	6
10	84.0570.00.2	90° ELBOW CONNECTOR DIA.35-1,37" (OPT)	1	48	62.0019.01.2	PISTON SLEEVE POLY 2260	6
10	84.0571.00.2	90° ELBOW CONNECTOR DIA.38-1,49" (OPT)	1	49	81.8540.00.2	PISTON RING DIA.78	6
10	84.0591.00.2	90° ELBOW CONNECTOR DIA.401,57" (OPT)	1	50	62.0018.09.2	PISTON DIA.78	6
11	14.0030.32.2	PIPE MANIFOLD G 3/8"	1	51	80.0021.00.2	RING DIA.15	12
12	80.3219.15.2	O-RING 3.0x30 VITON	1	52	85.2006.70.2	PISTON PIN DIA.15	6
13	14.0029.32.2	PIPE MANIFOLD	1	53	80.3209.00.2	O-RING 2,62x39,34	1
14	80.3264.50.2	O-RING 3,53x44,04 VITON	12	54	80.1369.00.2	RING DIA.52	1
15	85.2577.00.2	CAP G.3/8 + O-RING	1	55	25.0606.51.2	FORK Ø4 - INT. 47	12
16	14.0031.32.2	PIPE MANIFOLD G1"1/2	1	56	41.0017.31.2	DIAPHRAGM OIL FILLER	1
17	14.0001.09.2	CRANKCASE	1	57	14.0116.32.2	SPACER	1
18	80.2143.10.2	OIL SEAL DIA.35x52x7	2	58	14.9888.97.3	OIL FILLER KIT	1
19	81.2867.00.2	BEARING DIA.35x80x21	1	59	14.0042.32.2	PIPE MANIFOLD G.1	1
20	14.0016.01.2	SHAFT SPACER	2	60	85.2720.00.2	CAP G.1	1
21	14.0015.76.2	CONROD RING	2	61	80.3206.50.2	O-RING 2,62x28,25 VITON	1
22	14.0027.11.2	CONROD	6	68	14.0037.07.2	CAP	1
23	14.0002.26.2	CRANKSHAFT POLY 2250	1	69	80.2191.10.2	OIL SEAL DIA.45x62x7	1
23	14.0009.26.2	CRANKSHAFT POLY 2260	1	70	81.2945.00.2	BEARING DIA.45X100X25	1
24	82.4066.00.2	GASKET DIA.12,2x18x1,5	1	71	14.0038.61.2	CIRCLIP DIA..45	1
25	86.3694.65.2	SCREW M12x20 UNI5931	1	72	14.0041.26.2	CRANKSHAFT "VC" D.1"	1
26	14.0018.61.2	MOUNTING RAIL	2	72	14.0041.26.2A	CRANKSHAFT "VC" D.25mm	1
27	81.4689.30.2	M12 UNI 5589 NUT	3	72	14.0040.26.2	CRANKSHAFT "VM"	1
28	86.4139.10.2	SCREW M12x160	3	73	14.0111.07.2	HODRAULIC MOTOR FLANGE	1
29	81.2876.00.2	BEARING DIA.35x100x25	1	74	80.2178.10.2	OIL SEAL DIA.40x52x17	1
30	91.0110.72.2	COVER GASKET	1	75	81.2900.00.2	BEARING DIA.40x80x18	1
31	14.0011.09.2	COVER	1	77	14.0110.61.2	SPACER	1
32	86.2562.20.2	SCREW M8x20 UNI5931	6	78	14.0109.26.2	CRANKSHAFT "VC2" D.1"	1
33	84.3696.00.2	WASHER DIA.8,4x18x2	2	78	14.0109.26.2A	CRANKSHAFT "VC2" D.25mm	1
34	86.2682.50.2	SCREW M8x25 UNI5931	2	79	86.2684.00.2	SCREW M8x25 UNI 5931	4
35	31.1482.32.2	PLAIN SAFETY CONE L=182 (OPT)	1	80	84.3896.05.2	SCHNORR WASHER 13x18x1,1	3
35	31.1468.32.2	PLAIN SAFETY CONE L=135 (OPT)	1				