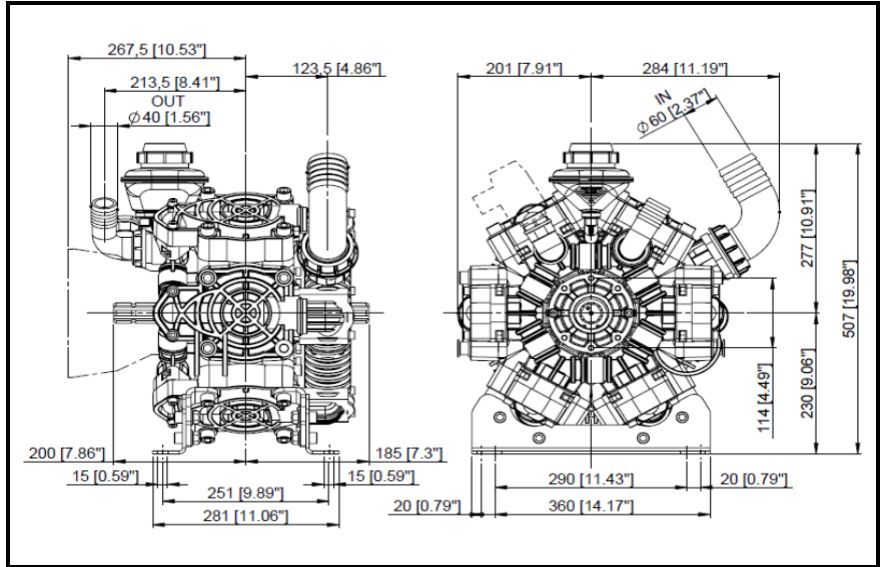
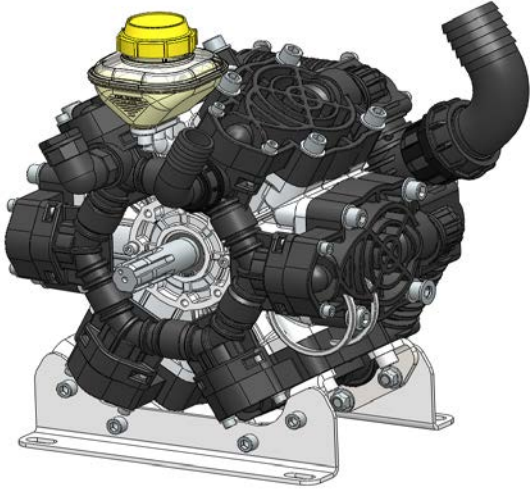
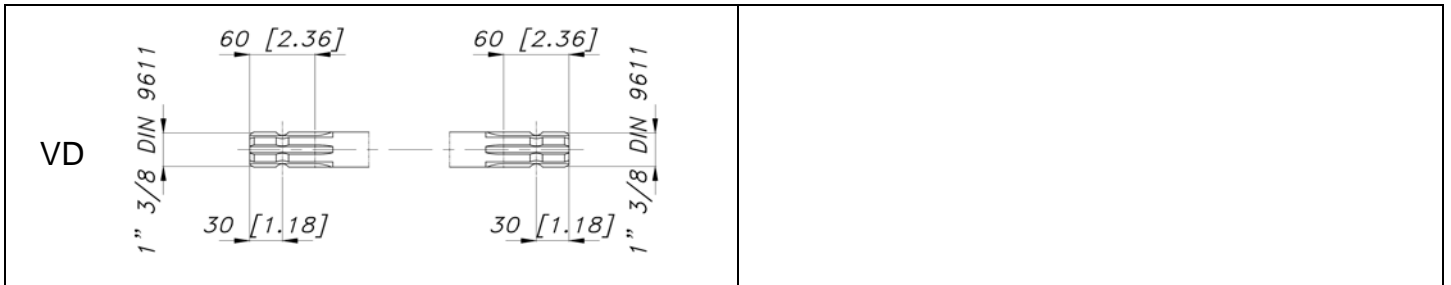


DIMENSIONI D'INGOMBRO - OVERALL DIMENSIONS



ALBERO POMPA - PUMP SHAFT



COPPIA DI SERRAGGIO - TORQUE CHART					
CODICE - CODE	Q.TY	POS	N.m	Lbr.ft	
86.2562.20.2	8	15	22	16.2	
15.0111.51.2	6	27	50	36.9	
86.2894.10.2	12	61	10	7.4	
86.4250.15.2	16	63	70	51.6	
86.3696.05.2	8	45	70	51.6	
86.4251.15.2	8	47	70	51.6	
86.2216.20.2	2	32	10	7.4	
86.2216.20.2	2	36	10	7.4	
86.3044.05.2	12	69	22	16.2	
86.3694.65.2	1	17	70	51.6	
86.2547.00.2	2	77	10	7.4	

Tolleranza di serraggio: 0/-10%
Tolerance on torque value: 0/-10%

INFORMAZIONI UTILI USEFUL INFORMATION				
LUBRIFICANTE- LUBRICANT:				
OLIO MOTORE O SEMIDRAULICO SAE 30 MOTOR OIL OR SEMI-HYDRAULIC OIL SAE 30				
PRESSIONE ACCUMULATORE (BAR) ACCUMULATOR PRESSURE (BAR=)				
PRESSIONE DI LAVORO - OPERATING PRESSURE	2 ÷ 5	5 ÷ 10	10 ÷ 20	20 ÷ 50
ACCUMULATORE ACCUMULATOR	3	5	/	/

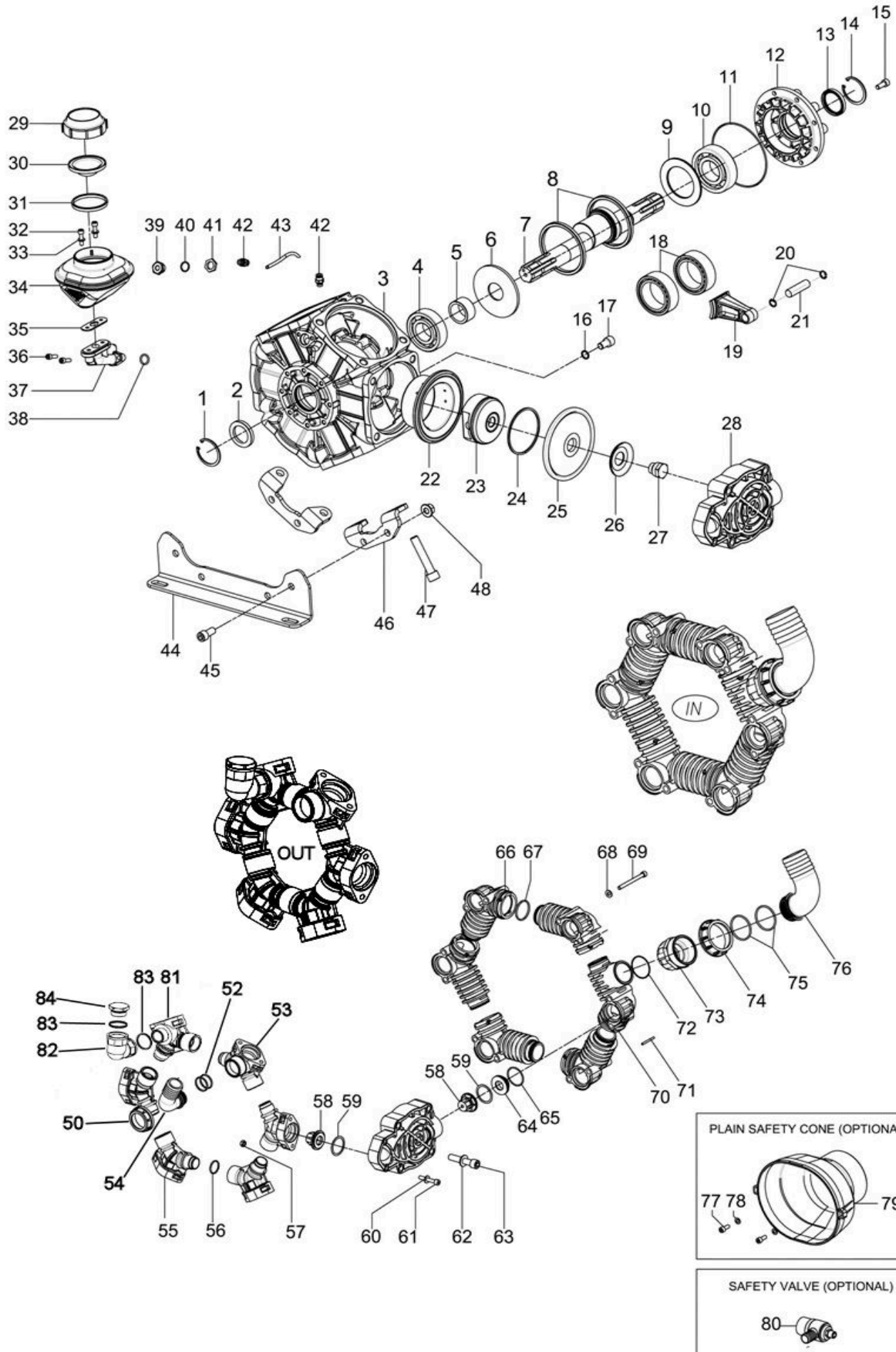
KIT MEMBRANE - DIAPHRAGMS KIT

KIT	15.9805.97.3DS	PRE-SET DURAMAX		15.9805.97.3	PRE-SET DESMOPAN	
		25	59		25	59
POSIZIONE ESPLOSO POSITION NUMBER						
QUANTITA' NEL KIT QUANTITIES INCLUDED		6	12		6	12

KIT POMPA/KIT VALVOLE - PUMP KIT/VALVES KIT

KIT	15.9806.97.3	KIT POMPA VD VD PUMP KIT										15.9812.97.3	VALVOLE 303 VALVES 303			14.9706.97.3	VALVOLE 316 VALVES 316			
		2	11	13	59	65	35	38	56	67	72		40	58	59		65	58	59	65
POSIZIONE ESPLOSO POSITION NUMBER																				
QUANTITA' NEL KIT QUANTITIES INCLUDED		1	1	1	12	6	1	1	6	6	1	1	12	12	6					

POLY 2400 VD



POLY 2400 VD

POS.	CODICE PART NO. REF.	DENOMINAZIONE - DESCRIPTION - DESCRIPTION	Q.TY	POS.	CODICE PART NO. REF.	DENOMINAZIONE - DESCRIPTION - DESCRIPTION	Q.TY
1	80.1369.00.2	RING DIA.52	1	42	84.0400.00.2	CONNECTOR FOR PIPE DIA.6mm	2
2	80.2143.10.2	OIL SEAL DIA.35X52X7	1	43	15.0113.00.2	FLEXIBLE PIPE DIA.6mm	1
3	15.0101.07.2	CRANKCASE (before 06-2017)	1	44	15.0106.61.2	MOUNTING RAIL	2
3	15.0120.07.2	CRANKCASE (after 06-2017)	1	45	86.3696.05.2	BOLT M12X25 UNI 5931	8
4	81.2867.00.2	BALL BEARING DIA.35X80X21	1	46	15.0105.61.2	MOUNTING RAIL BRACKET	4
5	49.0017.61.2	SPACER	1	47	86.4251.15.2	BOLT M14X75 UNI 5931	8
6	49.0009.61.2	SPACER	1	48	81.4706.10.2	NUT M12	8
7	49.0006.26.2	CRANKSHAFT VD (1" 3/8 M-M)	1	49	85.2585.00.2	CAP G.3/8"	1
8	49.0010.41.2	CONROD RING	2	50	82.0071.30.2	WING NUT G.1" 1/2	1
9	49.0002.61.2	SPACER	1	52	80.3219.15.2	O-RING DIA.3X30 VITON	2
10	81.2913.00.2	BALL BEARING DIA.40X90X23	1	53	15.0008.32.2	OUTLET PIPE MANIFOLD G.1" 1/2	1
11	80.3210.68.2	O-RING DIA.2,62X120,32	1	54	84.0591.00.2	90° ELBOW CONNECTOR DIA.40mm	1
12	48.0003.09.2	BEARING COVER (before 06-2017)	1	55	15.0007.32.2	OUTLET PIPE MANIFOLD	4
12	48.0034.09.2	BEARING COVER (after 06-2017)	1	56	80.3206.50.2	O-RING D.2,62x28,25 VITON	6
13	80.2178.10.2	OIL SEAL DIA.40X52X7	1	57	81.4573.00.2	NUT M8 UNI 5588	12
14	80.1369.00.2	RING DIA.52	1	58	28.9905.97.3	VALVE ASSY INOX AISI 316 (STD.)	12
15	86.2562.20.2	BOLT M8X20 UNI 5931 (before 06-2017)	8	58	28.9809.97.3	VALVE ASSY INOX AISI 303 (OPT.)	12
15	86.2562.05.2	BOLT M10X20 UNI 5931 (after 06-2017)	8	59	80.3314.50.2	O-RING DIA.4,5X40 VITON	12
16	82.4066.00.2	COPPER WASHER	1	60	84.3697.00.2	WASHER DIA.8,4X18X2 UNI 1734	12
17	86.3694.65.2	BOLT M12X20 UNI 5931	1	61	86.2894.10.2	BOLT M8X50 UNI 5931	12
18	81.2955.00.2	BEARING DIA.63X80X25	2	62	84.3913.20.2	WASHER D.15x28x2,5 UNI 6592	16
19	15.0108.11.2	CONROD	6	63	86.4250.15.2	BOLT M14X70 UNI 5931	16
20	80.0021.00.2	CONROD RING	12	64	28.0229.32.2	VALVE SPACER	6
21	85.2007.00.2	PISTON PIN	6	65	80.3209.30.2	O-RING DIA.2,62X42,52 VITON	6
22	15.0109.01.2	PISTON SLEEVE	6	66	14.0029.32.2	INLET PIPE MANIFOLD	5
23	15.0110.09.2	PISTON	6	67	80.3264.50.2	O-RING DIA.3,53x44,04 VITON	6
24	81.8550.00.2	PISTON RING	6	68	84.3697.00.2	WASHER DIA.8,4X18X2 UNI 1734	12
25	15.0040.00.ADS	PRE-SET DURAMAX PISTON DIAPHRAGM (STD)	6	69	86.3044.05.2	BOLT M8X90 UNI 5931	12
25	15.0040.00.A	PRE-SET DESMOPAN PISTON DIAPHRAGM (OPT)	6	70	14.0032.32.2	INLET PIPE MANIFOLD G.2"	1
26	15.0112.68.2	DIAPHRAGM DISK	6	71	25.0606.51.2	FORK Ø4 - INT. 47	6
27	15.0111.51.2	DIAPHRAGM SCREW	6	72	80.3080.41.2	O-RING DIA.1,78x53,7 VITON	1
28	15.0114.32.2	PUMP HEAD	6	73	14.0119.32.2	NIPPLES G.2"-G.2" 1/2	1
29	28.0144.32.2	OIL FILLER CAP	1	74	82.0122.00.2	WING NUT G.2" 1/2	1
30	41.0017.31.2	OIL FILLER DIAPHRAGM	1	75	80.3278.10.2	O-RING DIA.3,53X55,56 VITON	2
31	14.0116.32.2	DIAPHRAGM SPACER	1	76	84.0612.00.2	90° ELBOW CONNECTOR DIA.60mm	1
32	86.2216.20.2	BOLT M6X25 UNI 5931	2	77	86.2547.00.2	BOLT M6X18 UNI 5931 (OPT)	2
33	84.3585.00.2	WASHER UNI 6592	2	78	84.3685.50.2	WASHER DIA.8,2X15X1,5 (OPT)	2
34	40.9812.97.3	OIL FILLER	1	79	31.1482.32.2	PLAIN SAFETY CONE 180mm (OPT)	1
35	14.0017.72.2	OIL FILLER GASKET	1	80	24.3115.97.3	SAFETY VALVE 15 BAR (OPT)	1
36	86.2216.20.2	BOLT M6X25 UNI 5931	2	81	15.0081.32.2	OUTLET PIPE MANIFOLD G.1"-M	1
37	15.0104.07.2	OIL FILLER FLANGE	1	82	84.0527.00.2	CONNECTOR 90° G.1" F.F.	1
38	80.3181.00.2	O-RING DIA.2,62X15,54	1	83	80.3250.10.2	O-RING 3,53x31,34 VITON	1
39	15.0115.54.2	CONNECTOR G.3/8"	1	84	85.2720.00.2	CAP G.1	1
40	80.3090.00.2	O-RING DIA.2x16	1				
41	05.0116.53.2	RING G.3/8"	1				