

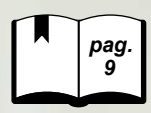
highest quality state of the art  
 customized precision  
**RBL PREMIUM**

**CARATTERISTICHE - SPECIFICATIONS**

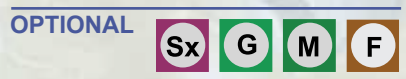
IN	DIAMETER	$\varnothing$	1" BSP
	PRESS.	Min.	-0.1 bar - 1.5 PSI
		Max.	6 bar 87 PSI
TEMP.	Max.	74° C. 165° F.	
OUT	DIAMETER	$\varnothing$	1/2 BSP
SHAFT		$\varnothing$	30 mm
OIL	SAE 75W90		1.5 litri 0.4 U.S.G.
PESO WEIGHT	Kg lbs		20.5 / 45.2



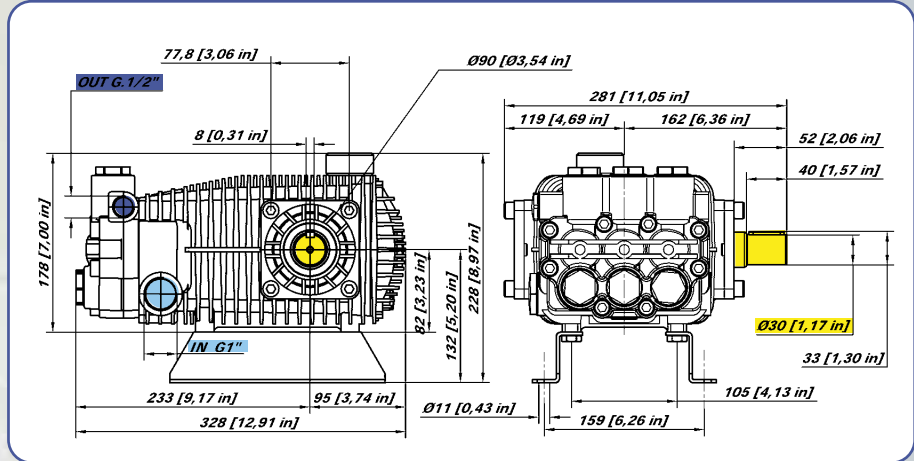
FLANGIA CON GIUNTO ELASTICO PER MOTORI IDRAULICI  
 BRIDE AVEC ACCOUPLEMENT ELASTIQUE POUR MOTEURS HYDRAULIQUES  
 BELL HOUSING + FLEXIBLE COUPLING FOR HYDRAULIC MOTORS  
 BRIDA CON JUNTA ELÁSTICA PARA MOTORES HIDRÁULICOS



**INTELLIseal™**



KIT PIEDINI cod. 08.9829.97.3 (optional)  
 MOUNTING RAILS KIT cod. 08.9829.97.3 (optional)  
 KIT SUPPORTS cod. 08.9829.97.3 (option)  
 JUEGO DE PIES cod. 08.9829.97.3 (opción)



**CARATTERISTICHE - FEATURES**

**PERFORMANCE CHART**

MODELLO MODEL CODICE PART NR.	MAX		PRESS		RPM 950				RPM 1450				RPM 1725				PIST. CORSA PLUNG. STROKE	
	L/min	GPM	Bar	PSI	L/min	GPM	KW	HP	L/min	GPM	KW	HP	L/min	GPM	KW	HP	Dia. mm	mm
RBL 4219-P 08.1042.97.A	49.0	12.9	150	2175	27.5	7.3	8.1	10.9	41.6	11.0	12.3	16.4	49.0	12.9	14.4	19.4	25	21
			170	2465	27.4	7.2	9.1	12.3	41.4	10.9	13.8	18.5	48.8	12.9	16.3	21.8		
			190	2755	27.3	7.2	10.2	13.6	41.2	10.9	15.4	20.6	48.5	12.8	18.1	24.3		
RBL 5019-P 08.1004.97.A	50.0	13.2	150	2175	33.1	8.7	9.7	13.1	50.0	13.2	14.7	19.7	N.D. N.A.	25	25			
			170	2465	32.9	8.7	11.0	14.7	49.7	13.1	16.6	22.3						
			190	2755	32.7	8.6	12.2	16.4	49.5	13.1	18.5	24.8						