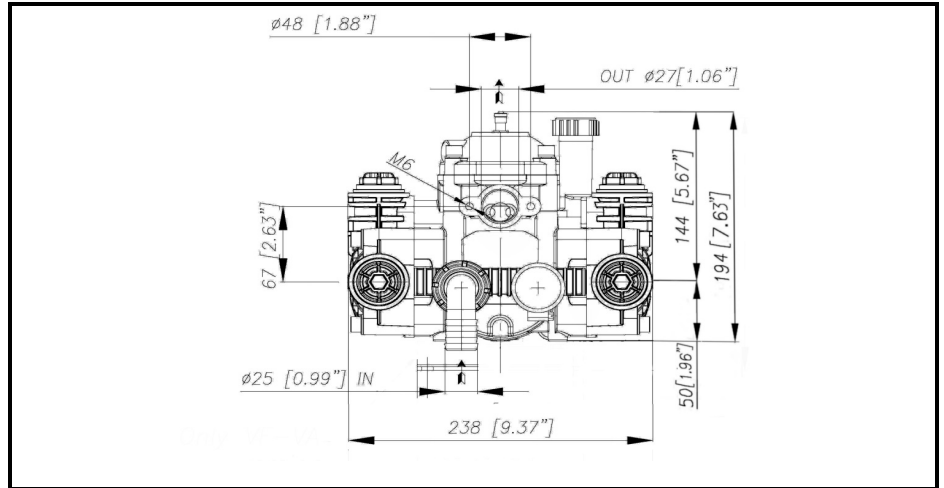
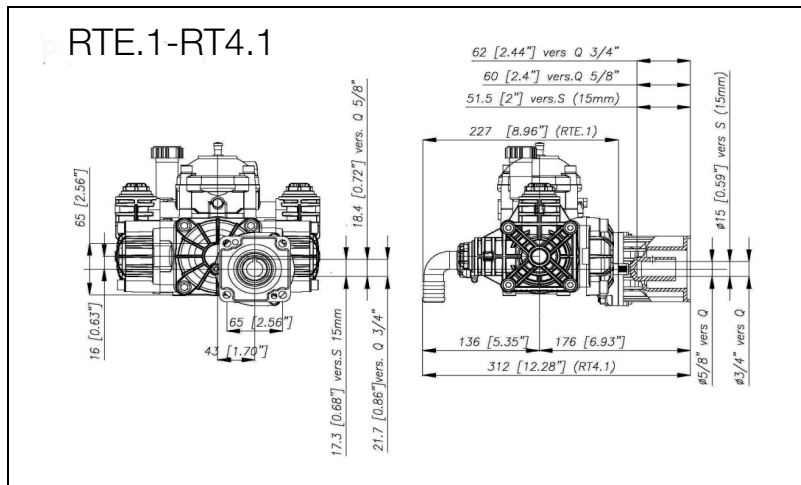


# POLY 2030.1 HP RTE.1 - RT4.1

## DIMENSIONI D'INGOMBRO - OVERALL DIMENSIONS



## ALBERO POMPA - PUMP SHAFT



## COPPIA DI SERRAGGIO - TORQUE CHART

CODICE - CODE	Q.TY	POS	N·m	Lbr.ft
11.0152.32.2	4	6	10	7.4
86.2951.00.2	2	10	10	7.4
86.1606.00.2	1	12	5	3.7
86.2900.00.2	8	22	12	8.8
03.0021.97.3	2	25	5(*)	3.7
86.2945.00.2	2	38	10	7.4
86.3300.00.2	4	44	40	29.5
81.4545.00.2	3-5	45	10	7.4
86.2301.00.2	2	47	10	7.4
83.8012.00.2	1	52	10	7.4
86.2260.00.2	2	55	10	7.4
86.2108.00.2	2	58	10	7.4
86.1948.00.2	4	68	6	4.4
Tolleranza di serraggio - Tolerance on torque value:			0/-10%(*)	
Tolleranza di serraggio - Tolerance on torque value:			0/-20%	

## INFORMAZIONI UTILI USEFUL INFORMATION

### LUBRIFICANTE - LUBRICANT:

**POMPA - PUMP:**  
OLIO MOTORE O SEMIIDRAULICO SAE 30  
MOTOR OIL OR SEMI-HYDRAULIC OIL SAE 30

### PRESSIONE ACCUMULATORE ACCUMULATOR PRESSURE

PRESSIONE DI LAVORO - OPERATING PRESSURE	2 ÷ 5	5 ÷ 10	10 ÷ 20	20 ÷ 50
ACCUMULATORE ACCUMULATOR	2	2 ÷ 5	5 ÷ 7	6 ÷ 8

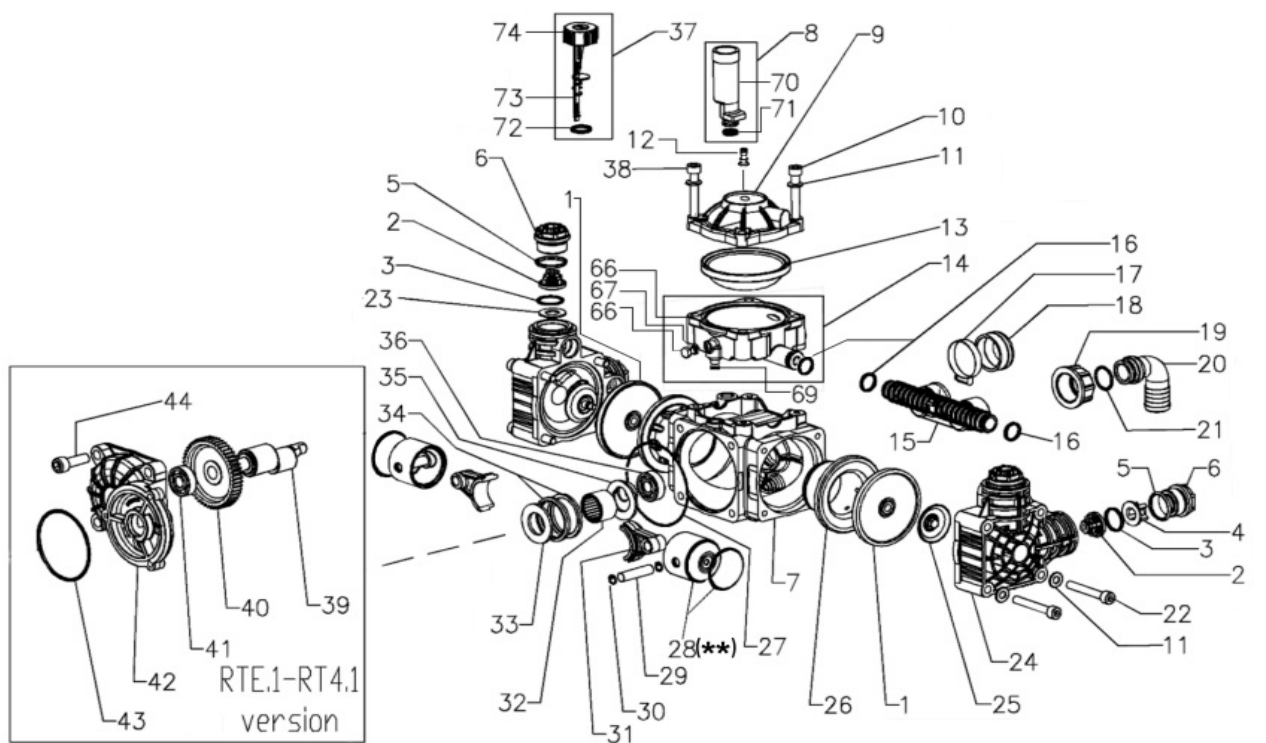
## KIT MEMBRANE - DIAPHRAGMS KIT

KIT	BUNA - N			VITON					PRE-SET DESMOPAN					PRE-SET DURAMAX									
POSIZIONE ESPLOSO POSITION NUMBER	94.9871.97.3			94.9943.97.3					94.9918.97.3					94.9918.97.3DS									
QUANTITA' NEL KIT QUANTITIES INCLUDED	1	13	16	1	13	16	3	5	1	13	16	3	5	1	13	16	3	5	1	13	16	3	5
	2	1	4	2	1	4	4	4	2	1	4	4	4	2	1	4	4	4	2	1	4	4	4

## KIT POMPA/KIT VALVOLE - PUMP KIT/VALVES KIT

KIT	KIT POMPA PUMP KIT							KIT VALVOLE VALVE KIT							
POSIZIONE ESPLOSO POSITION NUMBER	94.9942.97.3							94.9944.97.3							
QUANTITA' NEL KIT QUANTITIES INCLUDED	16	67	69	72	3	27	43	2	3	4	5				
	4	1	1	1	4	1	1	4	4	2	4				

# POLY 2030.1 HP RTE.1 - RT4.1



VERSIONS		OPTIONAL	
RT4.1	RTE.1	SAFETY VALVE	

POS.	CODICE PART NO. REF.	DENOMINAZIONE - DESCRIPTION - DESCRIPTION	Q.TY	CONF. PACK.	POS.	CODICE PART NO. REF.	DENOMINAZIONE - DESCRIPTION - DESCRIPTION	Q.TY	CONF. PACK.
1	94.0040.31.2	BUNA-N PISTON DIAPHRAGM(OPT.)	2		39	94.0394.26.2	SHAFT	1	
1	94.0042.00.2DS	PRE-SET DURAMAX PISTON DIAPHRAGM (STD)	2		40	94.0400.42.2	GEAR Z=48	1	
1	94.0042.00.2	PRE-SET DESMOPAN PISTON DIAPHRAGM (OPT.)	2		41	81.2522.00.2	BALL BEARING	1	
1	94.0040.33.2	VITON PISTON DIAPHRAGM(OPT.)	2		42	94.0383.09.2	CRANKCASE	1	
2	03.9821.97.3	VALVE ASSY	4		43	80.3210.64.2	O-RING	1	•
3	80.3200.50.2	O-RING	4	▲	44	86.3300.00.2	SCREW [40Nm - 29.5lb-ft]	4	•
4	94.0389.32.2	SPACER INLET VALVE	2		66	94.0304.32.2	LOWER DAMPER (X KARIN)	1	
5	80.3205.55.2	O-RING	4	▲	67	80.3049.00.2	O-RING	1	•
6	11.0152.32.2	CAP [10Nm - 7.4lb-ft]	4		68	86.1948.00.2	SCREW [6Nm - 4.4lb-ft]	1	•
7	94.0301.09.2	CRANKCASE	1		69	80.3170.00.2	O-RING	1	•
8	94.9866.97.3	KIT OIL FILLER	1		70	94.0307.32.2	OIL TANK	1	
9	94.0003.09.2	DAMPER COVER	1		71	80.3213.50.2	O-RING	1	•
10	86.2951.00.2	SCREW [10Nm - 7.4lb-ft]	2	▲	72	80.3181.00.2	O-RING	1	•
11	84.3685.00.2	WASHER	12	•	73	94.0353.32.2	OIL LEVEL DIP	1	
12	86.1606.00.2	AIR VALVE (FROM 05/2017) [5Nm - 3.7lb-ft]	1		74	85.2698.00.2	CAP 3/4"	1	
13	94.0041.31.2	DAMPER DIAPHRAGM	1		79	24.3202.97.3	SAFETY VALVE 15BAR (OPTIONAL)	1	
13	94.0041.33.2	DAMPER DIAPHRAGM VITON(OPT.)	1						
14	94.9924.97.3	LOWER DAMPER (X KARIN)	1						
15	94.0388.32.2	KIT DAMPER BODY	1		45	81.4545.00.2	NUT [10Nm - 7.4lb-ft]	3	•
16	80.3181.10.2	O-RING	4	▲	46	84.3585.00.2	WASHER	3	•
17	81.7522.90.2	CLAMP	1		47	86.2301.00.2	SCREW [10Nm - 7.4lb-ft]	2	•
18	93.0021.31.2	DIAPHRAGM BELLOW	1	▲	48	94.0210.09.2	MOTOR FLANGE	1	
19	82.0045.50.2	WING NUT	1	▲	49	94.0403.42.2A	PINION (D.3/4")	1	
20	84.0526.00.2	SUCTION CONNECTOR	1		49	94.0401.42.2A	PINION (D.15)	1	
21	80.3195.05.2	O-RING	1	▲	49	94.0402.42.2A	PINION Z=9 (D.5/8")	1	
22	86.2900.00.2	SCREW [12Nm - 8.8lb-ft]	2	•	50	80.6436.05.2	TAB (D.3/4"D.5/8")	1	▲
23	94.0397.68.2	WASHER	8	▲	50	80.6445.05.2	TAB (D.15)	1	▲
24	94.0390.32.2	PUMP HEAD	2		51	80.2117.50.2	OIL SEAL	1	
25	03.0021.97.3	KIT DIAP WASH./SCREW.INOX [5Nm - 3.7lb-ft](*)	2		52	83.8012.00.2	STUD [10Nm - 7.4lb-ft]	1	▲
26	94.0396.01.2	PISTON SLEEVE	2						
27	80.3080.90.2	O-RING	1	•	52	83.8012.00.2	STUD [10Nm - 7.4lb-ft]	1	▲
28	94.0016.08.2 (**)	PISTON (BEFORE 10-2019)	2		53	81.2631.00.2	BALL BEARING	1	
28	94.0116.09.3	PISTON WITH PISTON RING (FROM 10-2019)	2		54	84.3585.00.2	WASHER	3	•
29	85.2006.00.2	PISTON PIN	2		55	86.2260.00.2	SCREW [10Nm - 7.4lb-ft]	2	•
30	80.0003.00.2	SNAP RING DIA.10	4	•	56	81.4545.00.2	NUT	5	•
31	94.0008.09.2	CONROD	2		57	83.2081.70.2	EL. MOTOR 230V (Z=9)	1	
32	81.2688.00.2	BEARING	1		57	83.2081.80.2	EL. MOTOR 400V (Z=9)	1	
33	94.0027.32.2	SPACER	1	▲	58	86.2108.00.2	SCREW [10Nm - 7.4lb-ft]	1	•
34	94.0047.76.2	CONROD RING	2		59	31.1324.61.2	LEFT HALF HANDLE	1	
35	94.0392.32.2	SHAFT SPACER	1		60	82.8410.00.2	KNOB	1	
36	81.2522.00.2	BALL BEARING	1		61	31.1325.61.2	RIGHT HALF HANDLE	1	
37	94.9855.97.3	KIT OIL INDICATOR	1		62	94.0404.61.2	BRACKET	1	
38	86.2945.00.2	SCREW [10Nm - 7.4lb-ft]	2	•	63	80.2072.00.2	OIL SEAL	1	

Torque values are indicated between brackets [ ]. General Tolerance on torque value: 0/-20% . Tolerance on torque value: 0/-10% (\*)  
 The components marked with the symbols are supplied in packs: ▲ = 12pcs. • = 25pcs.  
 (\*\*) Spare parts piston 94.0016.08.2: piston 94.0116.09.3 w/ piston sleeve 94.0396.01.2