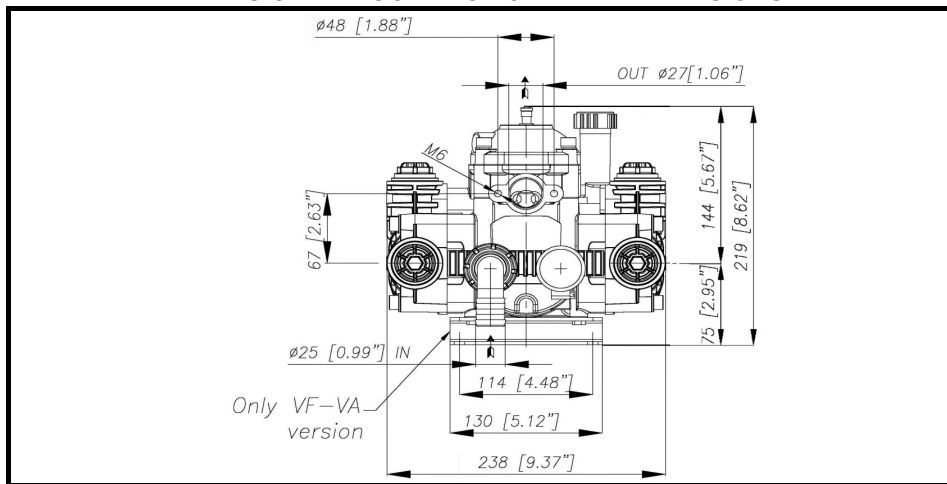


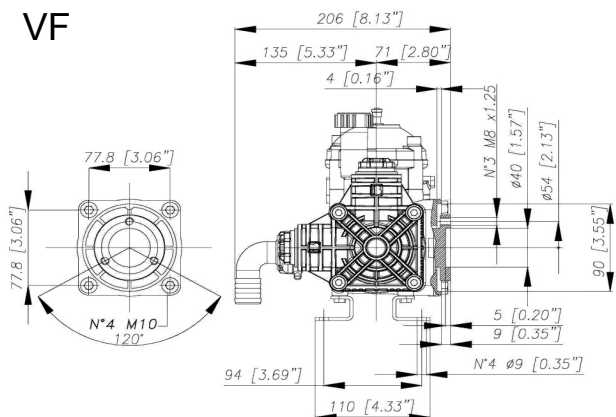
# POLY 2030.1 HP VF-VA

## DIMENSIONI D'INGOMBRO - OVERALL DIMENSIONS

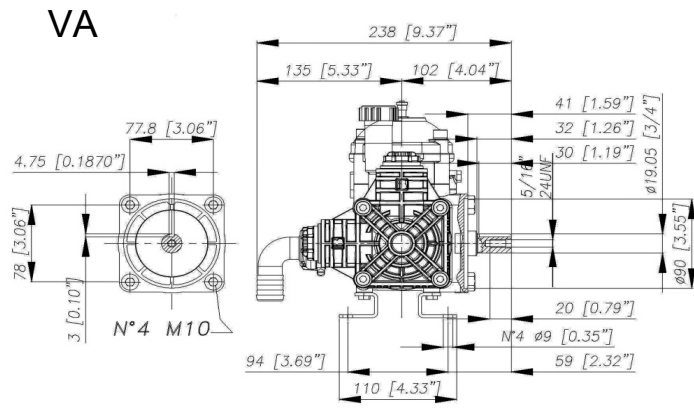


## ALBERO POMPA - PUMP SHAFT

VF



VA



## COPPIA DI SERRAGGIO - TORQUE CHART

CODICE - CODE	Q.TY	POS	N-m	Lbr.ft
11.0152.32.2	4	6	10	7.4
86.2951.00.2	2	10	10	7.4
86.1606.00.2	1	12	5	3.7
86.2900.00.2	8	22	12	8.8
03.0021.97.3	2	25	5(*)	3.7
86.2945.00.2	2	38	10	7.4
86.3300.00.2	4	44	40	29.5
86.1948.00.2	2	47	6	4.4
86.2059.00.2	4	65	10	7.4
86.3185.00.2	4	70	40	29.5
86.3185.00.2	4	77	40	29.5
Tolleranza di serraggio - Tolerance on torque value:			0/-10%	
Tolleranza di serraggio - Tolerance on torque value:			0/-20%	

## INFORMAZIONI UTILI USEFUL INFORMATION

### LUBRIFICANTE - LUBRICANT:

**POMPA - PUMP:**  
OLIO MOTORE O SEMIDRAULICO SAE 30  
MOTOR OIL OR SEMI-HYDRAULIC OIL SAE 30

### PRESSIONE ACCUMULATORE ACCUMULATOR PRESSURE

PRESSIONE DI LAVORO - OPERATING PRESSURE	2 ÷ 5	5 ÷ 10	10 ÷ 20	20 ÷ 50
ACCUMULATORE ACCUMULATOR	2	2 ÷ 5	5 ÷ 7	6 ÷ 8

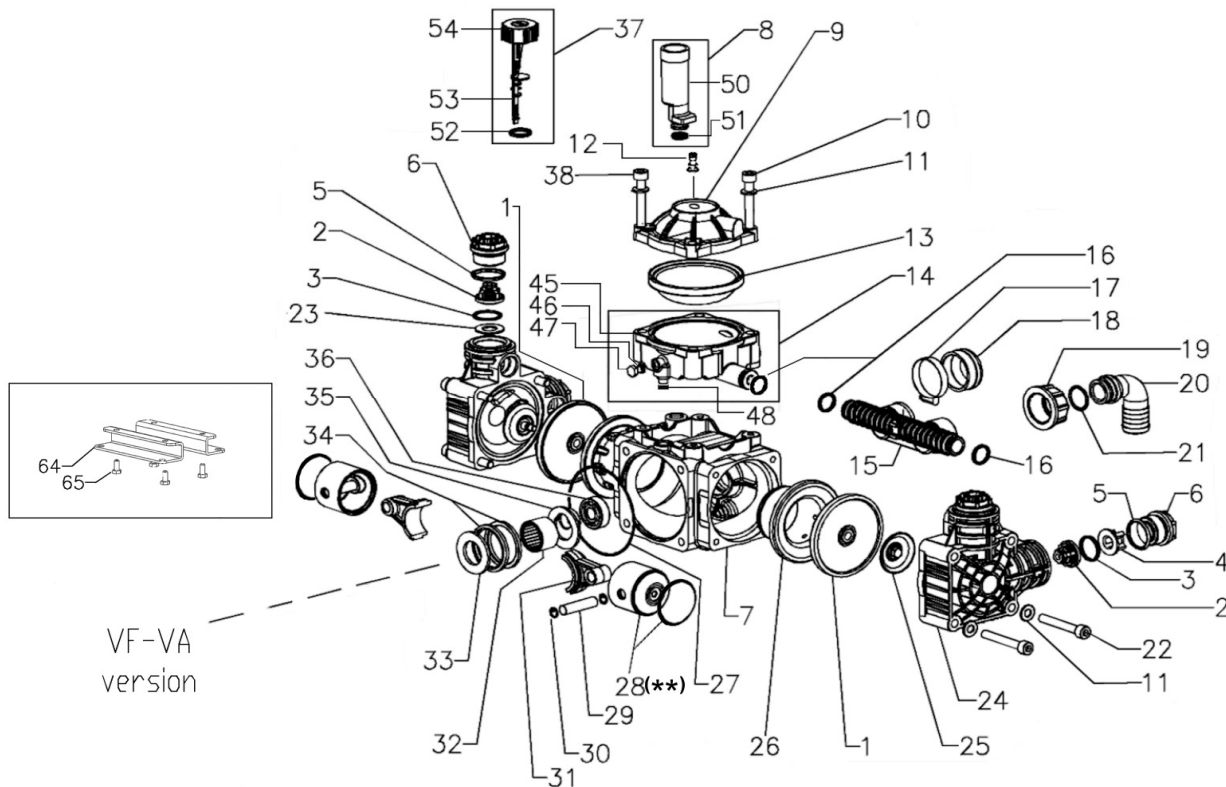
## KIT MEMBRANE - DIAPHRAGMS KIT

KIT	94.9871.97.3	BUNA - N			94.9943.97.3	VITON					94.9918.97.3	PRE-SET DESMOPAN					94.9918.97.3DS	PRE-SET DURAMAX				
		1	13	16		1	13	16	3	5		1	13	16	3	5		1	13	16	3	5
POSIZIONE ESPLOSO POSITION NUMBER																						
QUANTITA' NEL KIT QUANTITIES INCLUDED		2	1	4		2	1	4	4	4		2	1	4	4	4		2	1	4	4	4

## KIT POMPA/KIT VALVOLE - PUMP KIT/VALVES KIT

KIT	94.9942.97.3	KIT POMPA PUMP KIT						94.9944.97.3	KIT VALVOLE VALVE KIT																																					
		16	46	48	51	3	27		2	3	4	5																																		
POSIZIONE ESPLOSO POSITION NUMBER																																														
QUANTITA' NEL KIT QUANTITIES INCLUDED		4	1	1	1	4	1		4	4	2	4																																		

# POLY 2030.1 HP VF-VA



VERSIONS					OPTIONAL														
VA (D.3/4" M)					VF														
POS.	CODICE PART NO. REF.	DENOMINAZIONE - DESCRIPTION - DESCRIPTION	Q.TY	CONF. PACK.	POS.	CODICE PART NO. REF.	DENOMINAZIONE - DESCRIPTION - DESCRIPTION	Q.TY	CONF. PACK.										
1	94.0040.31.2	BUNA-N PISTON DIAPHRAGM(OPT.)	2		32	81.2688.00.2	BEARING	1											
1	94.0042.00.2DS	PRE-SET DURAMAX PIST.DIAPHRAGM(STD)	2		33	94.0027.32.2	SPACER	1	▲										
1	94.0042.00.2	PRE-SET DESMOPAN PIST.DIAPHRAGM (OPT.)	2		34	94.0047.76.2	CONROD RING	2											
1	94.0040.33.2	VITON PISTON DIAPHRAGM(OPT.)	2		35	94.0392.32.2	SHAFT SPACER	1											
2	03.9821.97.3	VALVE ASSY	4		36	81.2522.00.2	BALL BEARING	1											
3	80.3200.50.2	O-RING	4	▲	37	94.9855.97.3	KIT OIL INDICATOR	1											
4	94.0389.32.2	SPACER INLET VALVE	2		38	86.2945.00.2	SCREW [10Nm - 7.4lb-ft]	2	●										
5	80.3205.55.2	O-RING	4	▲	39	94.0394.26.2	SHAFT	1											
6	11.0152.32.2	CAP [10Nm - 7.4lb-ft]	4		40	94.0400.42.2	GEAR Z=48	1											
7	94.0301.09.2	CRANKCASE	1		45	94.0304.32.2	LOWER DAMPER (X KARIN)	1											
8	94.9866.97.3	KIT OIL FILLER	1		46	80.3049.00.2	O-RING	1	●										
9	94.0003.09.2	DAMPER COVER	1		47	86.1948.00.2	SCREW [6Nm - 4.4lb-ft]	1	●										
10	86.2951.00.2	SCREW [10Nm - 7.4lb-ft]	2	▲	48	80.3170.00.2	O-RING	1	●										
11	84.3685.00.2	WASHER	12	●	49	94.0307.32.2	OIL TANK	1											
12	86.1606.00.2	AIR VALVE (FROM 05/2017)[5Nm - 3.7lb-ft]	1		50	80.3213.50.2	O-RING	1	●										
13	94.0041.31.2	DAMPER DIAPHRAGM	1		51	80.3181.00.2	O-RING	1	●										
13	94.0041.33.2	DAMPER DIAPHRAGM VITON(OPT.)	1		52	94.0353.32.2	OIL LEVEL DIP	1											
14	94.9924.97.3	LOWER DAMPER (X KARIN)	1		53	85.2698.00.2	CAP 3/4"	1											
15	94.0388.32.2	KIT DAMPER BODY	1		65	86.2059.00.2	SCREW [10Nm - 7.4lb-ft]	4	●										
16	80.3181.10.2	O-RING	4	▲	79	24.3202.97.3	SAFETY VALVE 16BAR (OPTIONAL)	1											
17	81.7522.90.2	CLAMP	1		<b>VA</b>														
18	93.0021.31.2	DIAPHRAGM BELLOW	1	▲	66	80.6436.00.2	TAB	1	▲										
19	82.0045.50.2	WING NUT	1	▲	67	94.0395.26.2	SHAFT VA	1											
20	84.0526.00.2	SUCTION CONNECTOR	1		68	81.2725.00.2	BEARING	1											
21	80.3195.05.2	O-RING	1	▲	69	94.0336.09.2	FLANGE VA	1											
22	86.2900.00.2	SCREW [12Nm - 8.8lb-ft]	2	●	70	86.3185.00.2	SCREW [40Nm - 29.5lb-ft]	4	▲										
23	94.0397.68.2	WASHER	8	▲	71	80.2099.90.2	OIL SEAL	1											
24	94.0390.32.2	PUMP HEAD	2		72	80.1369.00.2	RING	1	●										
25	03.0021.97.3	KIT DIAP.WAS./SCREW.INOX[5Nm - 3.7lb-ft](*)	2		<b>VF</b>														
26	94.0396.01.2	PISTON SLEEVE	2		73	80.1264.00.2	RING	1	●										
27	80.3080.90.2	O-RING	1	●	74	81.2837.00.2	BEARING	1											
28	94.0016.08.2 (**)	PISTON (BEFORE 10-2019)	2		75	80.2178.10.2	OIL SEAL	1											
28	94.0116.09.3	PISTON WITH PISTON RING (FROM 10-2019)	2		76	94.0326.09.2	FLANGE VF	1											
29	85.2006.00.2	PISTON PIN	2		77	86.3185.00.2	SCREW [40Nm - 29.5lb-ft]	4	▲										
30	80.0003.00.2	SNAP RING	4	●	78	94.0393.26.2	SHAFT VF	1											
31	94.0008.09.2	CONROD	2																
<b>FRONT SAFETY CONE (OPTIONAL)</b>					<b>REAR SAFETY CONE (OPTIONAL)</b>														
A	31.1482.32.2	PLAIN SAFETY CONE L=180	1		A	/	/	/	/										
B	/	USE STANDARD SCREW OF PUMP	4		B	/	/	/	/										
C	/	USE SPECIAL WASHER OF PLAIN SAFETY C.	4		C	/	/	/	/										

Torque values are indicated between brackets [ ]. General Tolerance on torque value: 0/-20% . Tolerance on torque value: 0/-10% (\*)  
 The components marked with the symbols are supplied in packs: ▲ = 12pcs. ● = 25pcs.  
 (\*\*) Spare parts piston 94.0016.08.2; piston 94.0116.09.3 w/ piston sleeve 94.0396.01.2